



SeceuroGlide Sectional Elite Installation Instructions

.....
Please read these instructions carefully prior to commencing the installation of the door.

IMPORTANT SAFETY RULES

This equipment must be installed and used in accordance with these instructions. Failure to follow these instructions could result in damage to the integrity of the safety circuits.

Two persons are required to install this product to ensure safe handling procedures.

CAUTION

Do not wear rings, watches or loose clothing while installing or servicing the unit and ensure correct PPE is worn.

To avoid serious personal injury from entanglement, remove any loose objects from the equipment prior to operating door.

DANGER

Installation and wiring must be in accordance with your local building and electrical regulations.

Any electrical work must be carried out by a suitably qualified person, if in doubt consult a qualified electrician.

Use only the mains lead supplied with the Remote Control Unit as failure to do so will invalidate the warranty.

Connect the mains lead to an adjacent 13 amp 3 pin switched socket. The plug must be fitted with a 13 amp fuse.

Note: For optimum electrical safety this unit should be connected to circuit protected by a R.C.D. (max 30 mA trip rating).

This unit should not be installed in a damp or wet space or on a damp or single skinned wall without sufficient spacers.

DANGER

Disconnect electric power to the control unit before making repairs or removing covers.

Install the operator and/or Switch Control in a location where the garage door is visible, but out of the reach of children. The door must be in direct sight of the control and must not be operated via security or doorbell cameras. Do not allow children to operate push button(s) or remote control(s). Serious personal injury from a closing garage door may result from misuse of the operator.

CAUTION

Activate unit only when the door is in full view, free of obstructions and operator is properly adjusted. No one should enter or leave the garage while the door is in motion. Do not allow children to play near the door.

Any modifications or improvements of this closure must be compliant with the standard BS EN 13241:2003+A2:2016. In this case, a "modification/transformation" file must be created by the installer as per the standard BS EN 23635:2002+A1:2008.

Considerable force is exerted by the extension springs. Carry out work in accordance with the safety instructions. Use the appropriate tools to install these products. Ensure that all work is carried out on a stable floor.

All the requirements of the standards BS EN 13241:2003+A2:2016 must be met and verified if necessary.

01. PRE-INSTALLATION

Always check on delivery that the order details are correct and the door is undamaged, especially before removing any existing doors.

Sequence of Installation & Contents

- 01. Pre-Installation Check
- 02. Fitter's Information Pack
- 03. Equipment Needed for Installation
- 04. Kit Contents for Each Door Configuration
- 05. Reveal Fix - Executive Framing Option
- 06. Vertical Rail Installation
- 07. Horizontal Rail Installation
- 08. Panel Assembly
- 09. Cable Attachment
- 10. Final Adjustments & Optional Extras
- 11. Set the Limits
- 12. Commissioning
- 13. Technical Assistance

PRE-INSTALLATION CHECK

Note: In case of power failure a manual system is fitted as standard but this can only be operated from inside the garage. If the garage has no service entrance door then an exterior release kit must be fitted to allow manual operation of the garage door from outside.

Before removing the old door check that the door size and colour correspond with that which was ordered.

Structural Condition of Opening

- i. Ensure the area around the opening is strong enough to support the weight of the door.
- ii. The surface where the door is to be fitted must be flush and reasonably smooth. Small irregularities in the brickwork will be acceptable.
- iii. No obstacles in fitting footprint eg. no sharp objects, pipes, cables, bumps etc. sticking out from the pillars, lintel or header.
- iv. The lintel must not protrude backwards or forwards from the brick piers. Should the lintel protrude backwards or forwards from the brick piers this will require special instructions, please consult your supplier.
- v. The floor must be flat/level. If necessary install a sub-frame to ensure secure, flush and level fixing (recommended minimum 70 X 70 PAR). The lintel must not protrude backwards or forwards from the brick piers. Should the lintel protrude backwards or forwards from the brick piers this will require special instructions, please consult your installer.

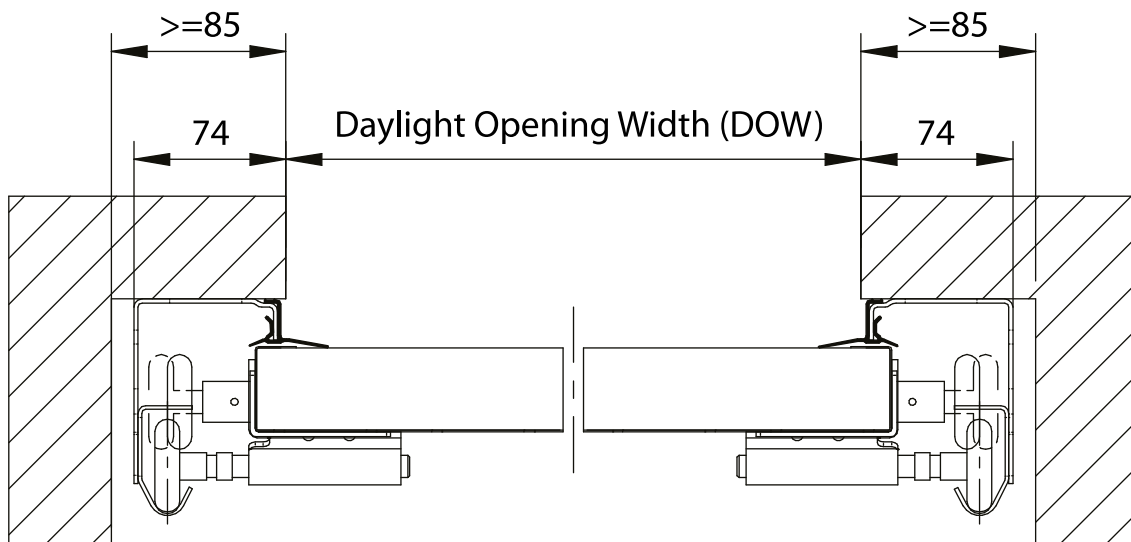
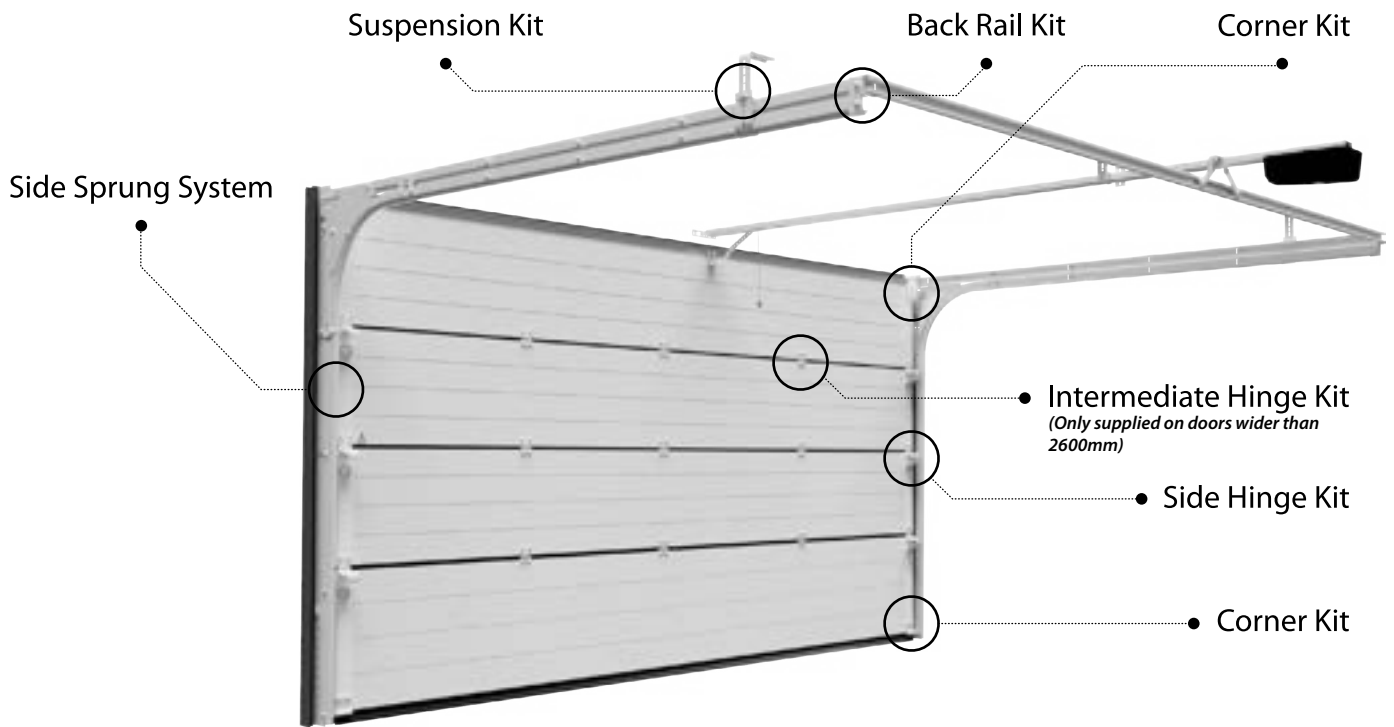
Fitting Notes

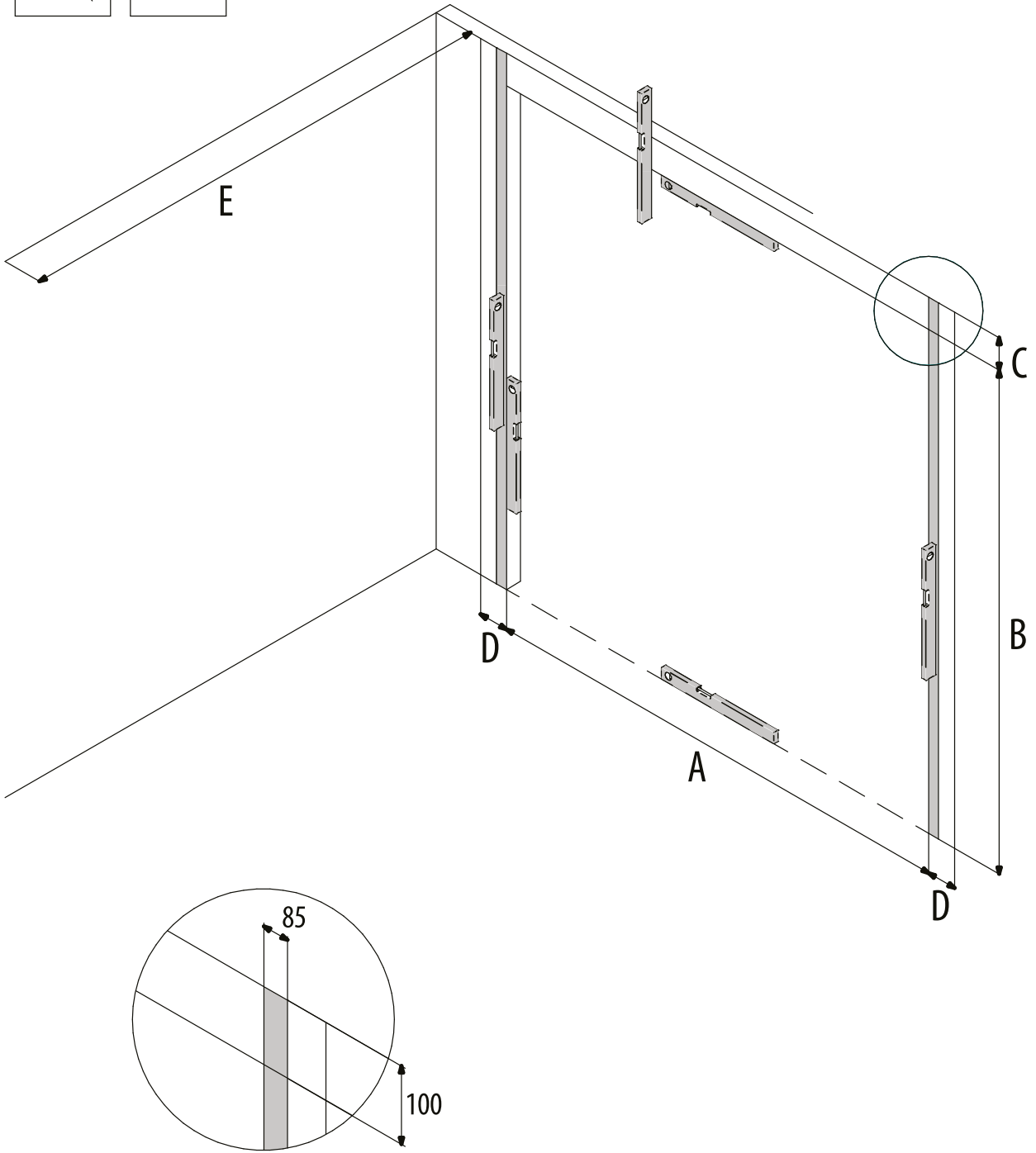
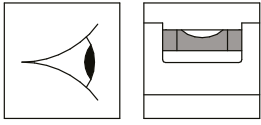
- vi. It is recommended that 2 people are available for fitting all door sizes.
- vii. The door must be fitted square and level, irrespective of the shape of the opening; on no account should any compensation be made to suit an irregular opening.
- viii. Ensure all necessary tools are to hand before starting.
- ix. The door package and its contents should be checked for obvious damage before removal of the wrapping.

IF THERE IS ANY DAMAGE YOUR SUPPLIER SHOULD BE CONTACTED IMMEDIATELY.

- x. Ensure there is a suitable 13 amp 3 pin switched socket adjacent to where the operator is to be fitted.
- xi. Ensure all tools and door components are gathered together inside the garage prior to starting the installation.

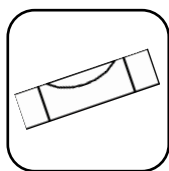
02. FITTER'S INFORMATION PACK





A	B	C	D	E
DLW	DLH	FLW	FSR	FMD
Daylight Width	Daylight Height	Free Head Room	Free Side Room	Free Mounting Dept

04. EQUIPMENT NEEDED FOR INSTALLATION



Spirit level



Clamp



Laser level



Plumb bob



Tape measure



Utility knife



Electric screwdriver



10 and
Socket



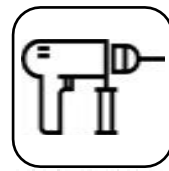
Pozidriv bit



10 and
Flat wrench



3
Allen key



Hammer drill



30
Torx bit



Ladder



Phillips
screwdriver



Flat
screwdriver



Pencil



Grinder



Combination
pliers



Crimping
pliers



Locking
pliers



Steel drill bit
Ø2-4,2-4,5-10-13



Hammer



Rivet
gun



Hacksaw



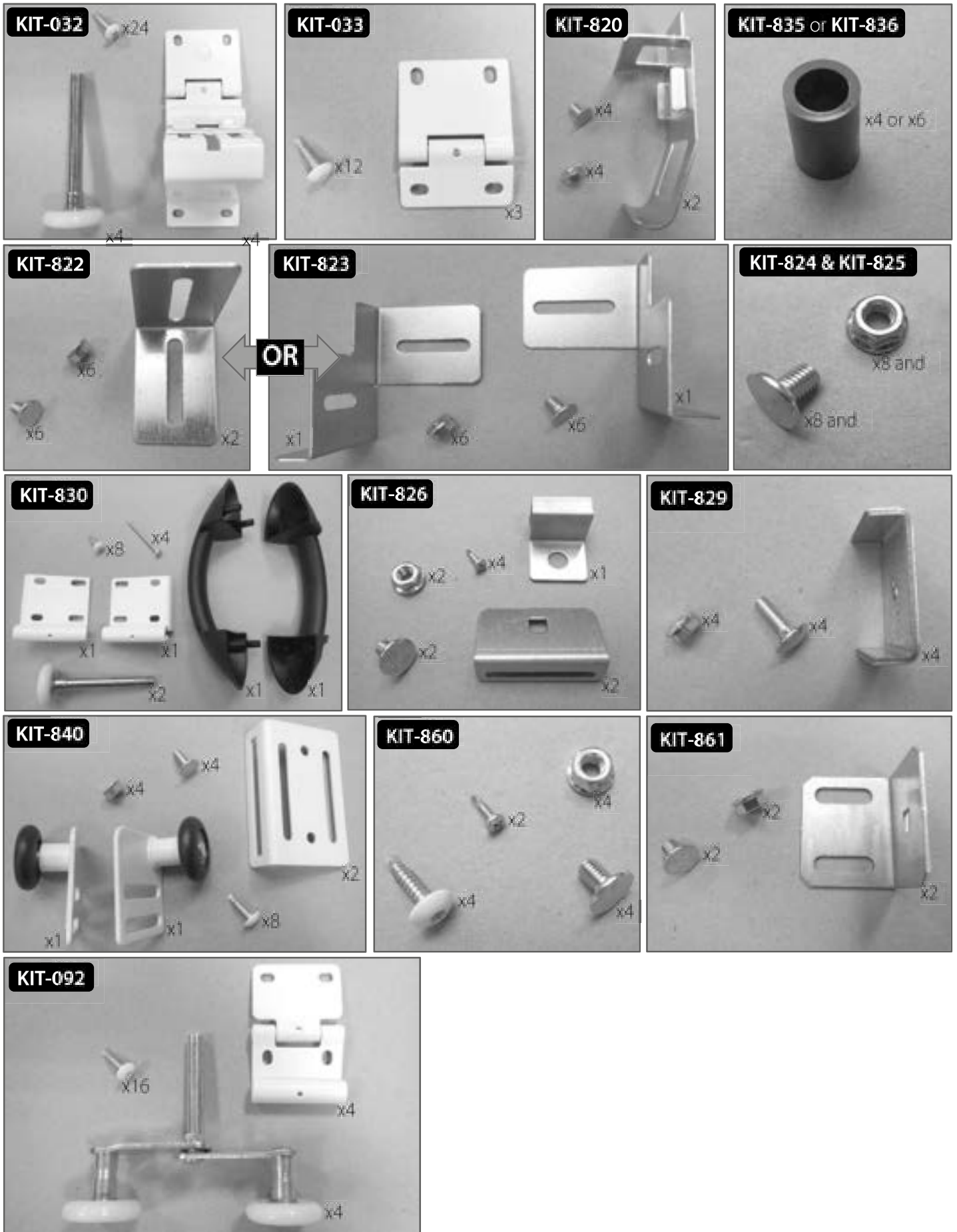
Silicone
sealant



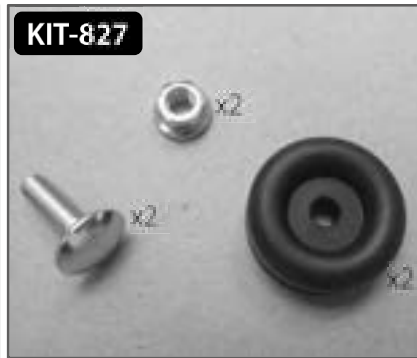
Grease spray

05. KIT CONTENTS FOR EACH DOOR CONFIGURATION

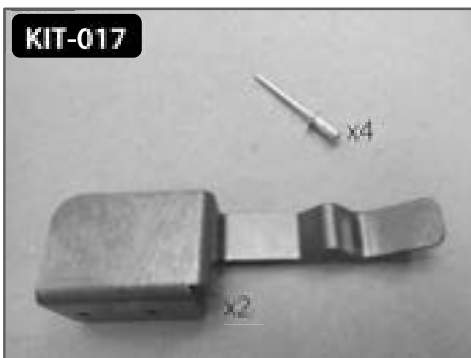
KIT CONTENTS FOR MOTORISED AND MANUAL DOORS



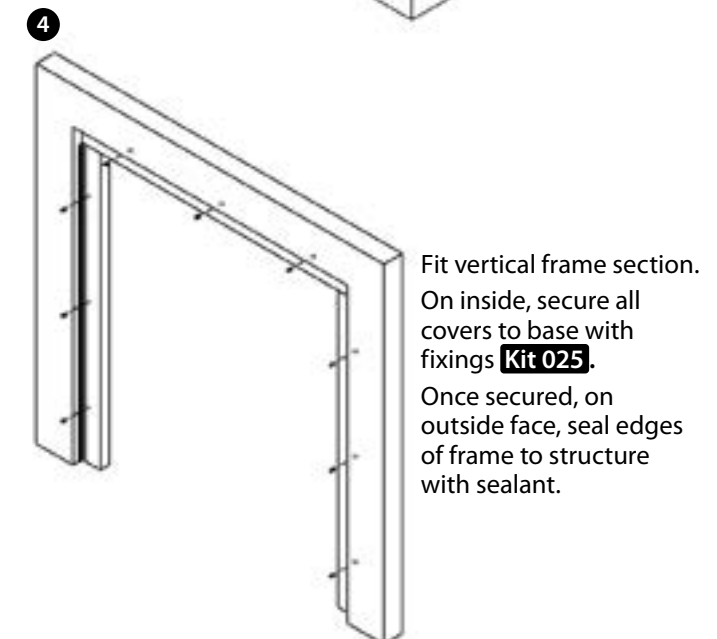
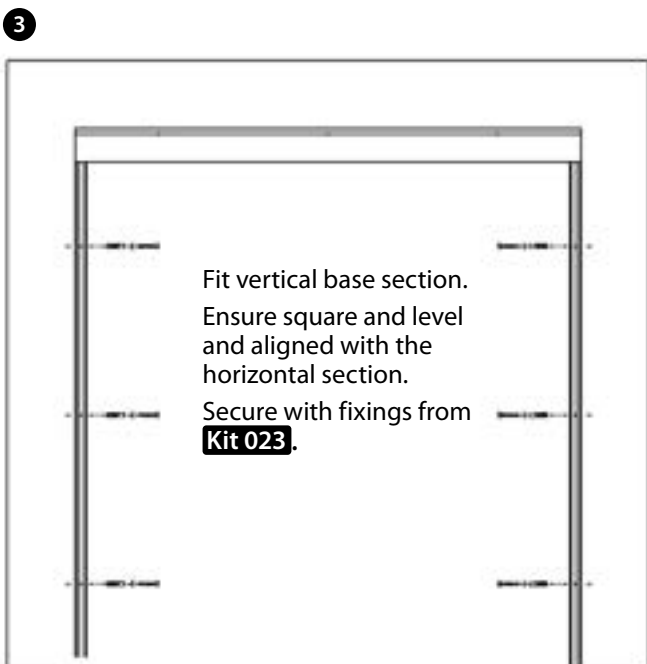
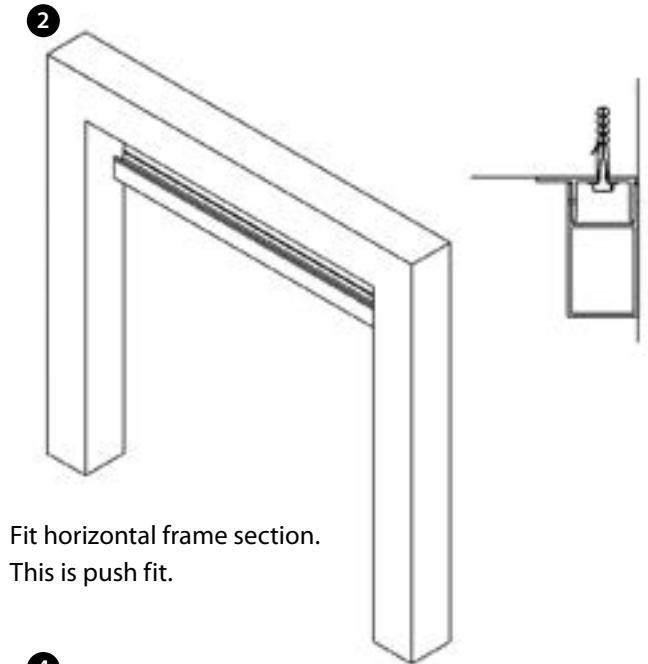
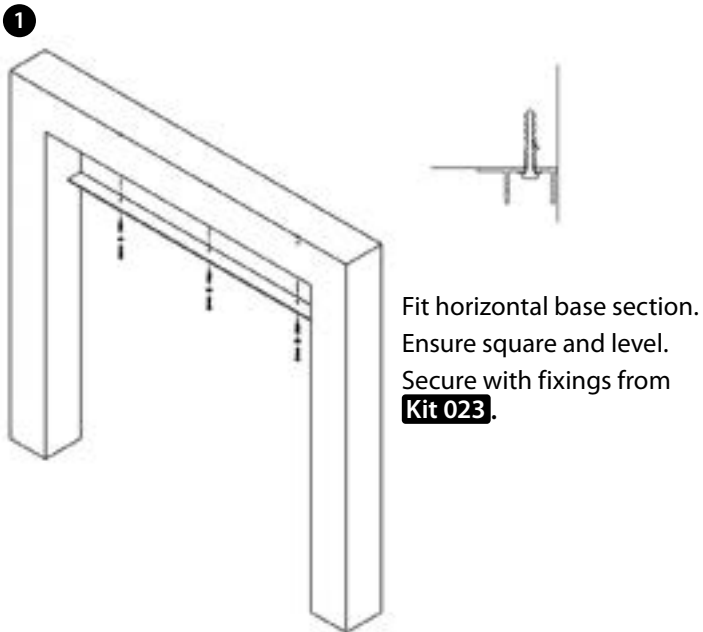
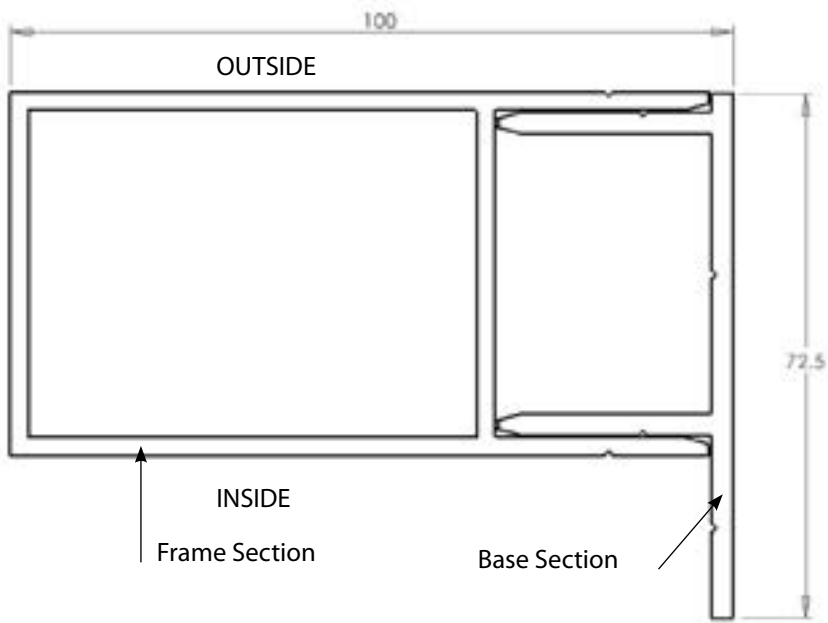
KIT CONTENTS FOR MOTORISED DOORS



KIT CONTENTS FOR MANUAL DOORS

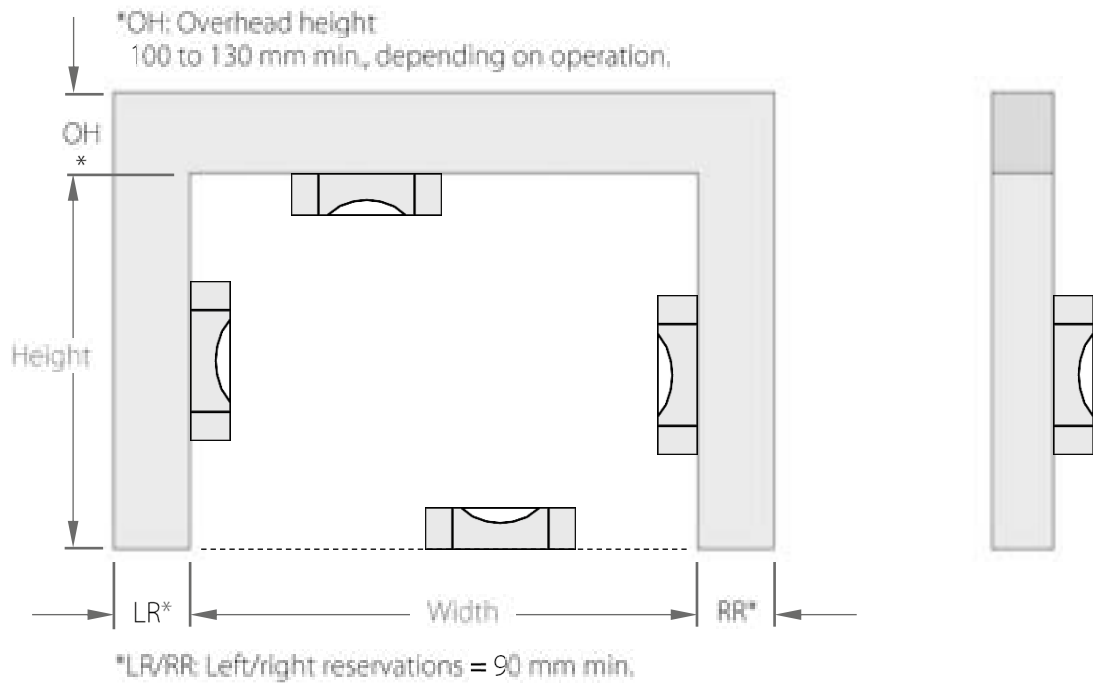
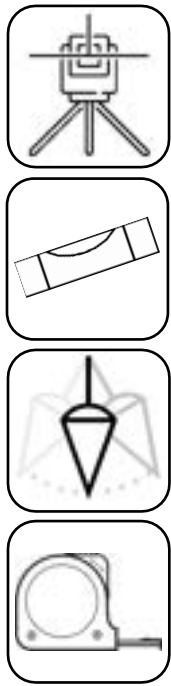


03. REVEAL FIX - EXECUTIVE FRAMING KIT OPTION



06. VERTICAL RAIL INSTALLATION

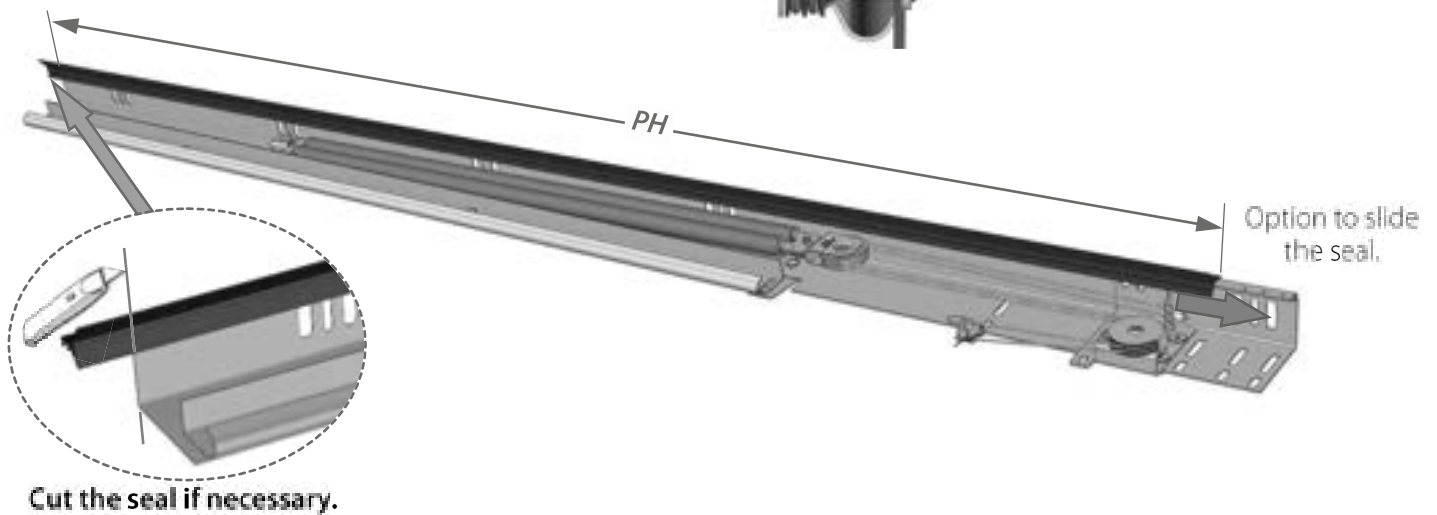
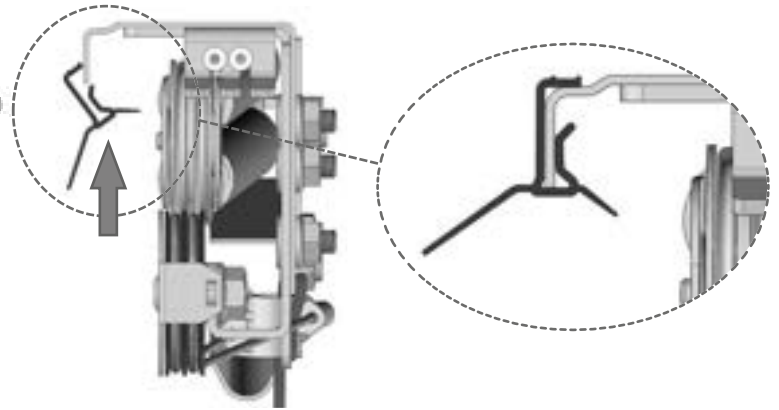
CHECKING THE OPENING



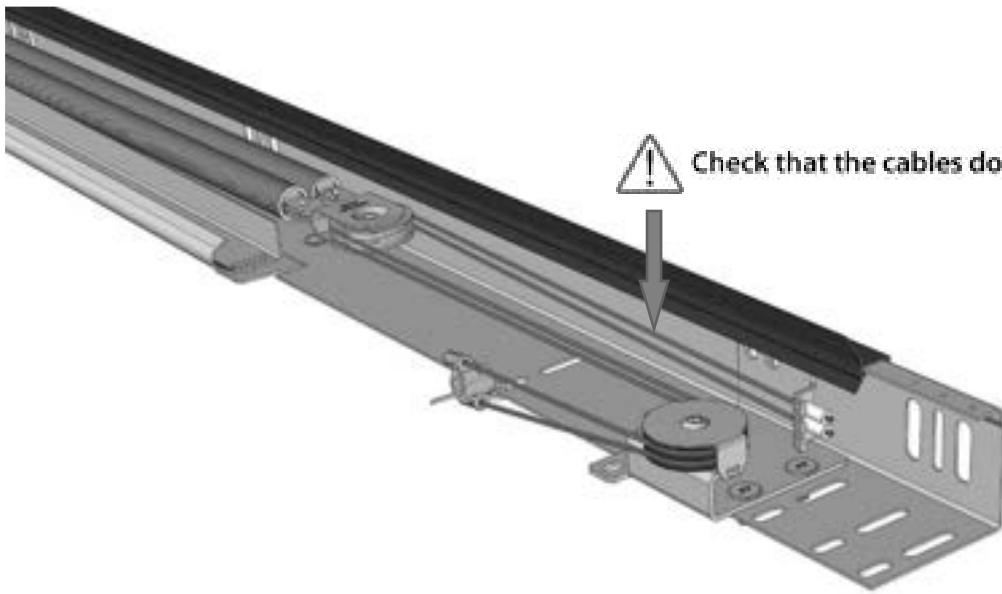
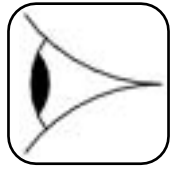
ASSEMBLING THE VERTICAL RAIL



Option to clip the seal.

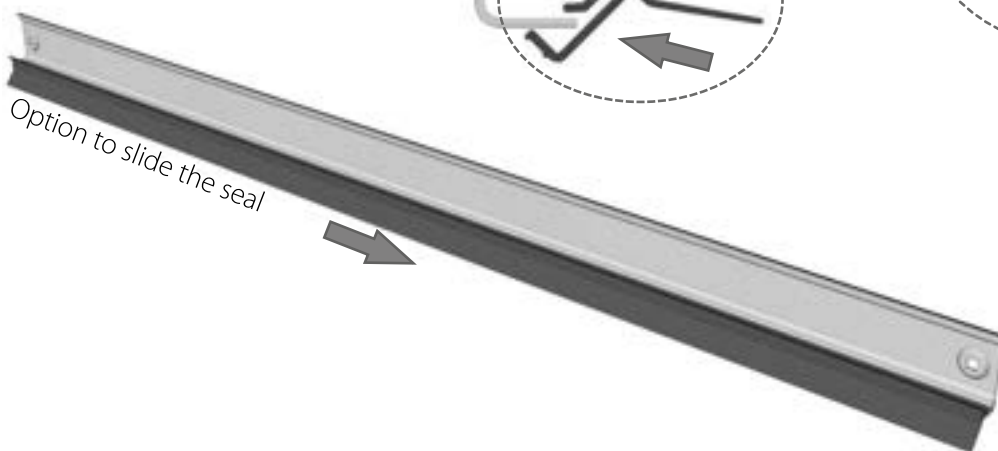
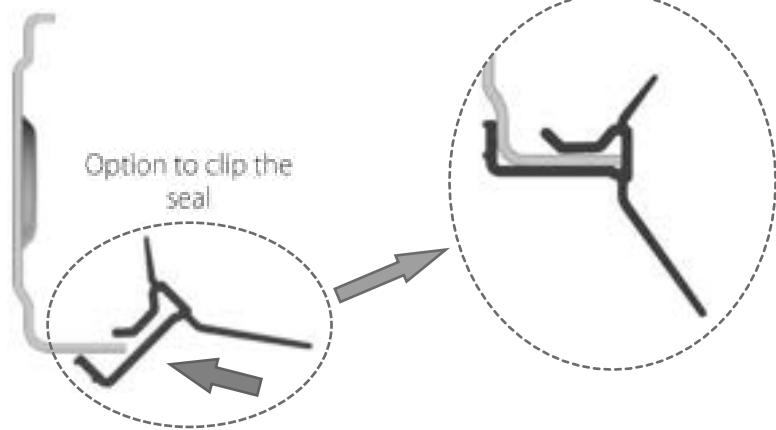


CHECKING THE CABLES/SPRINGS

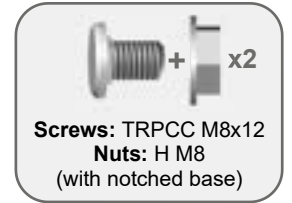


ASSEMBLING THE FASCIA SEAL

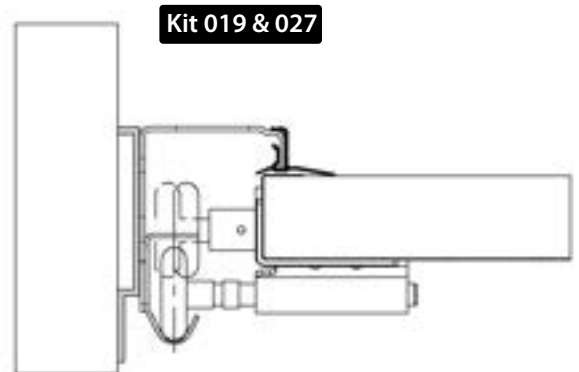
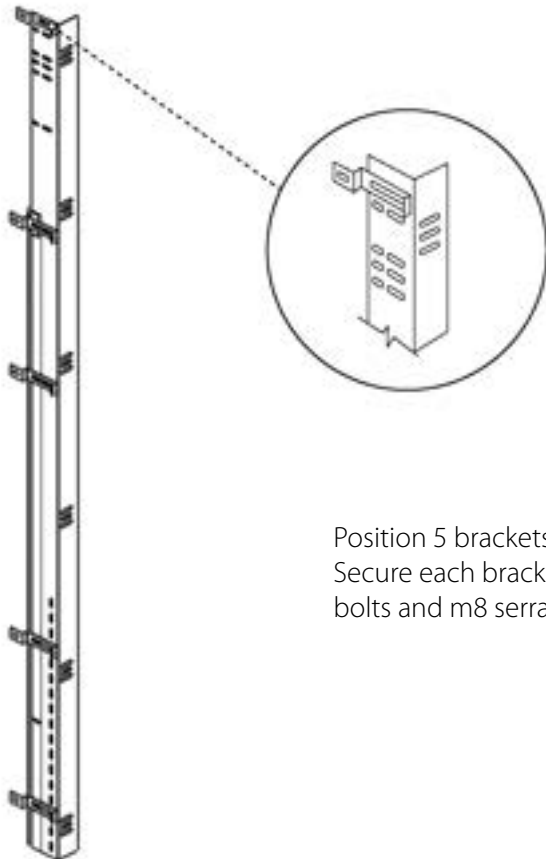
Remove the protective film before assembling the seal.



ASSEMBLING THE FASCIA

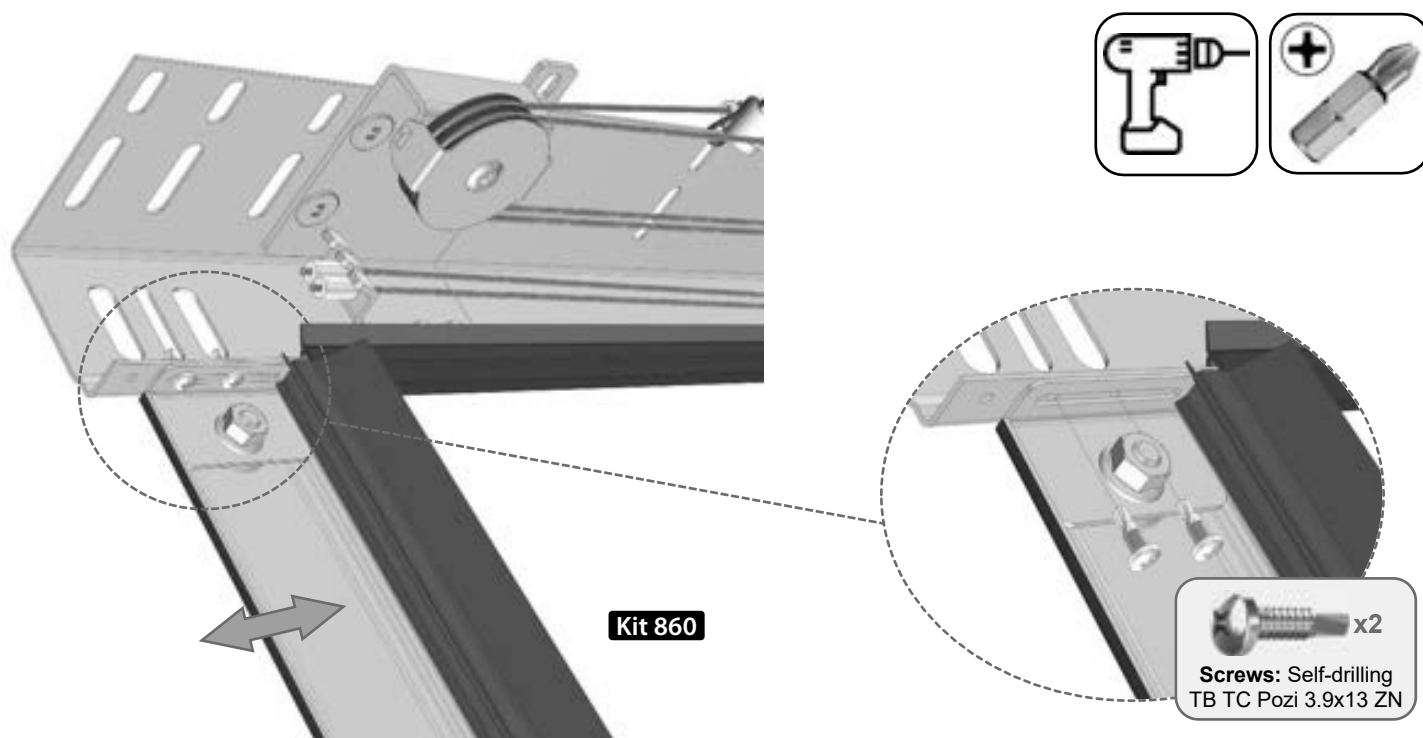


REVEAL BRACKETS



Position 5 brackets per side.
Secure each bracket with 2 M8 x 18
bolts and m8 serrated nuts.

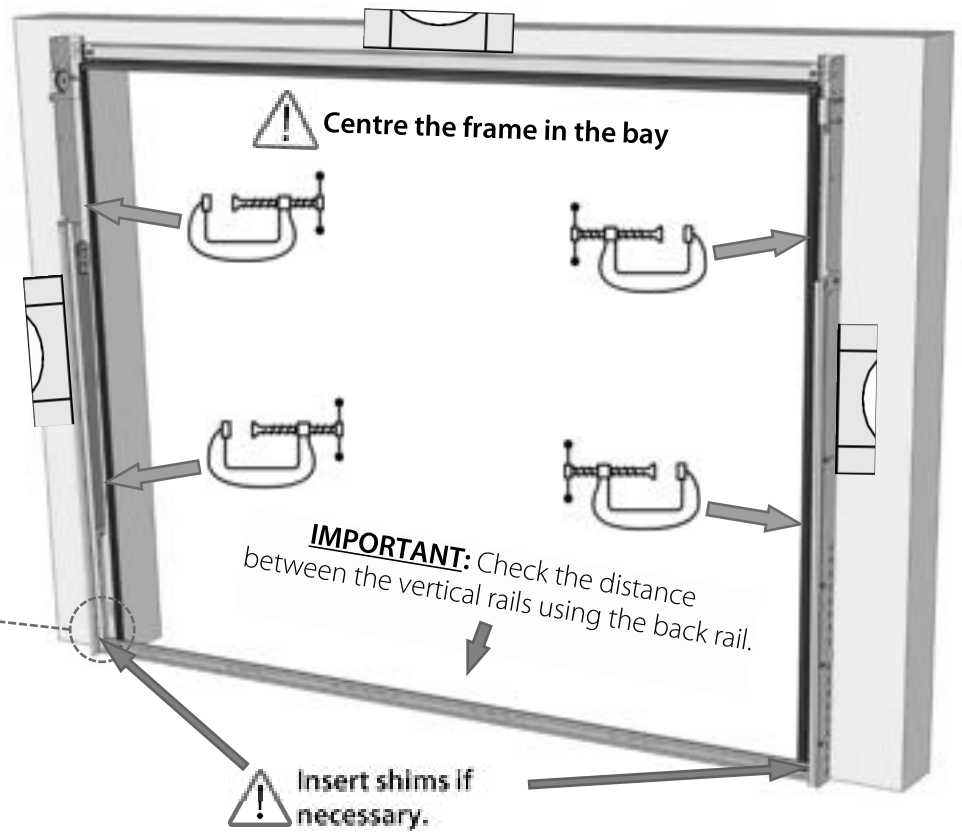
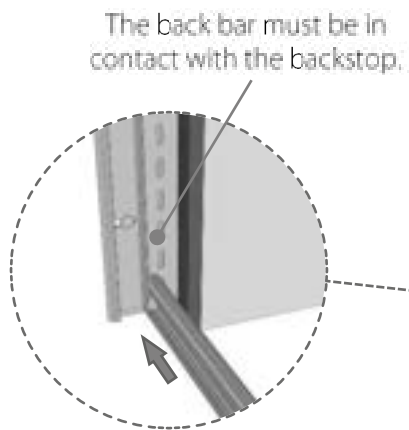
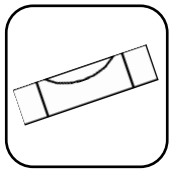
FIXING THE FASCIA TO THE FLOOR



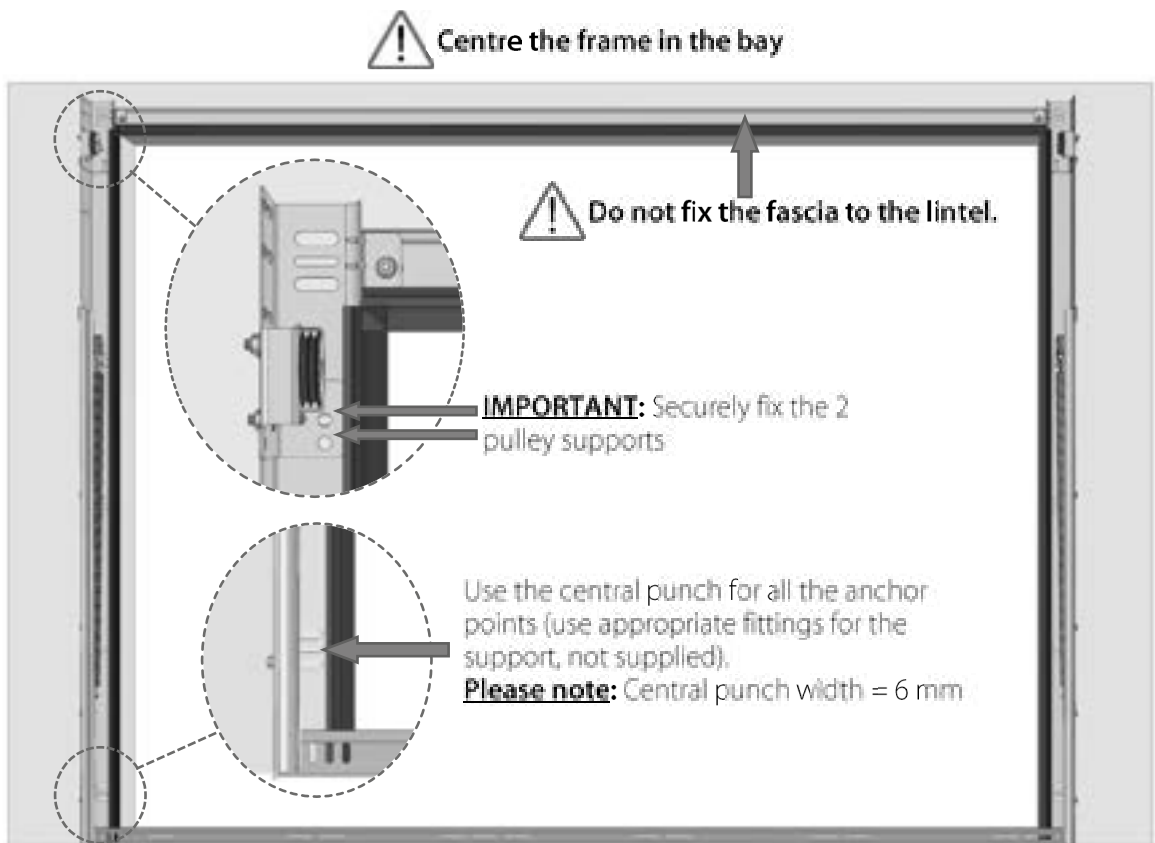
The vertical position of the fascia will be adjusted once the rails have been mounted on the wall.

Repeat the process with the other vertical rail.

LAYOUT OF THE FRAME



FIXING THE VERTICAL RAILS



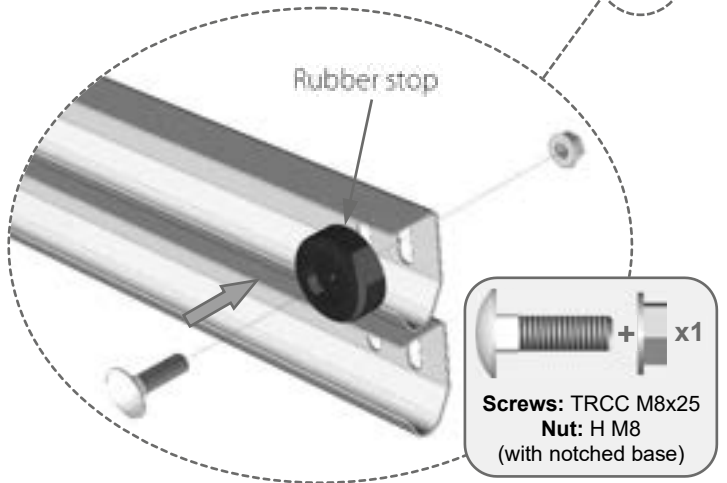
Repeat the process on the opposite side.

07. HORIZONTAL RAIL INSTALLATION

ASSEMBLING THE STOPS (MOTORISED DOORS)

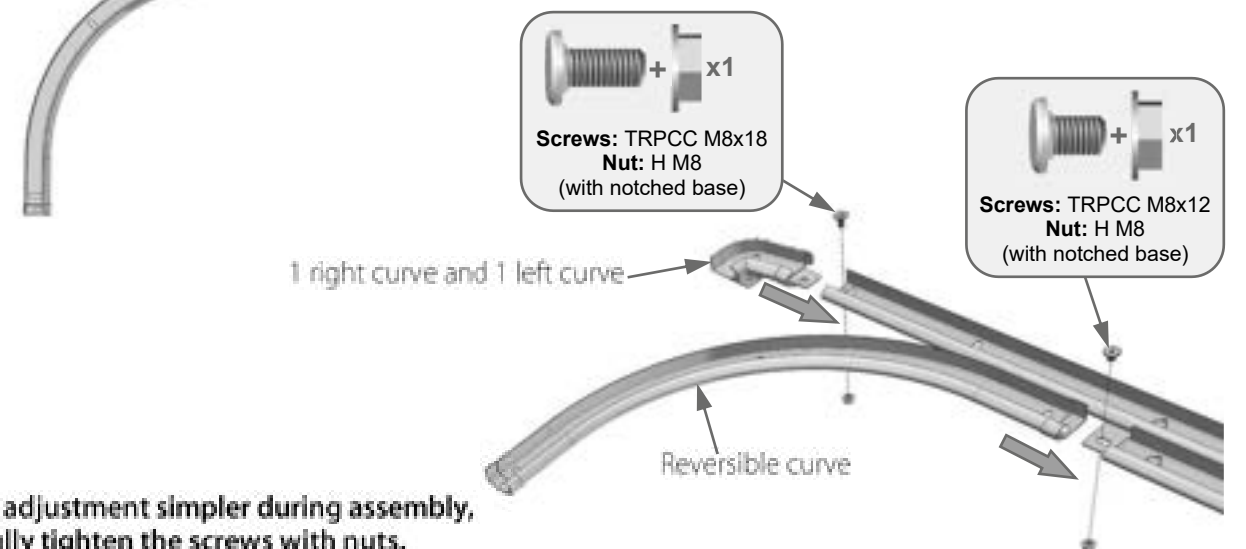
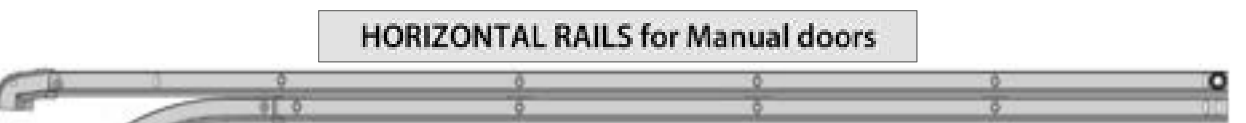
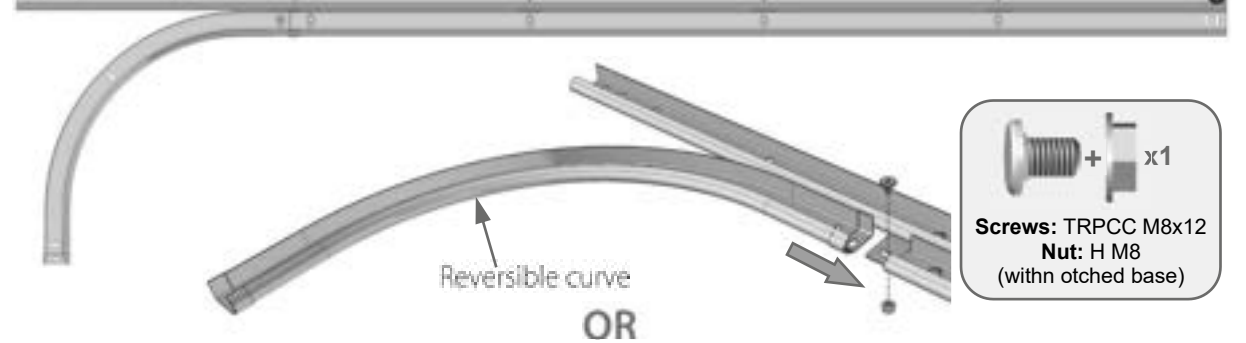
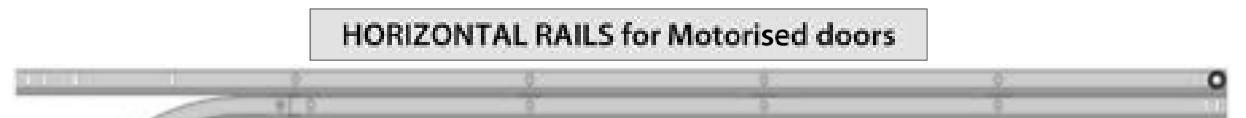


Kit 827



Repeat the process with the other horizontal rail.

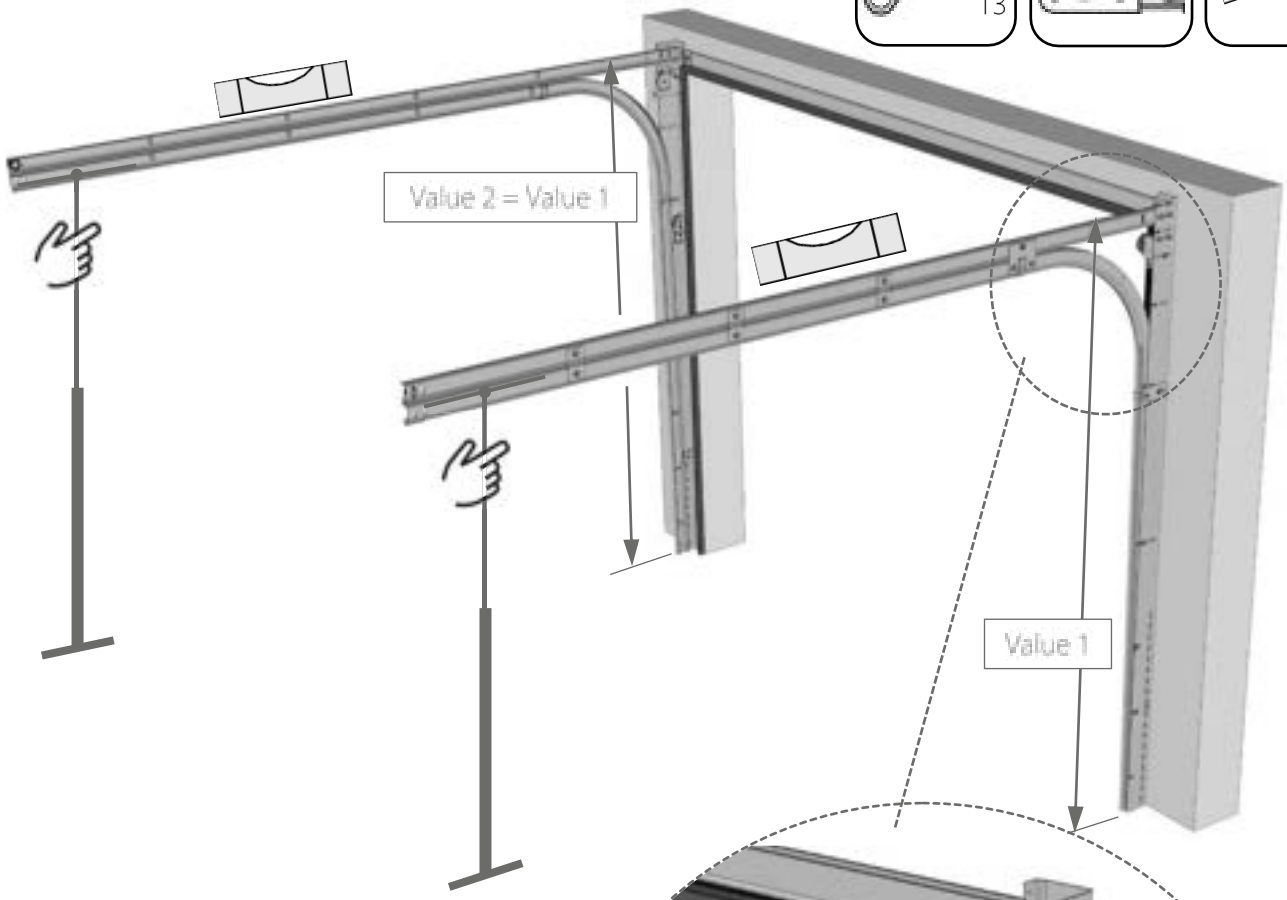
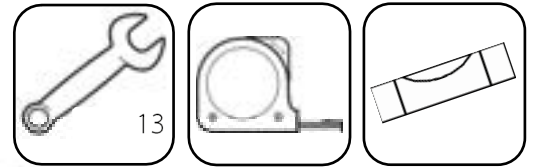
ASSEMBLING THE CURVES



To make adjustment simpler during assembly, do not fully tighten the screws with nuts.

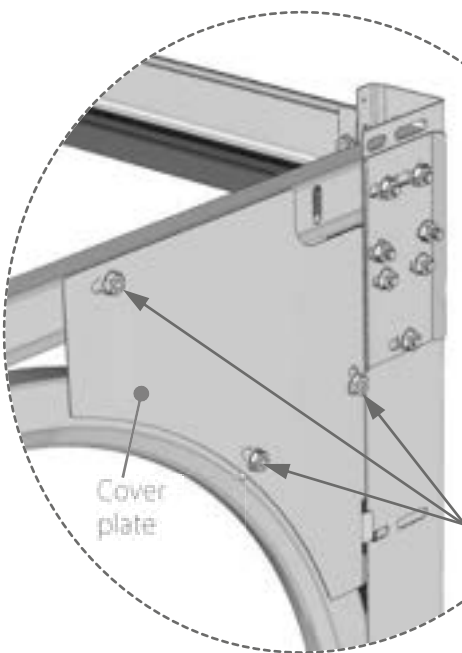
FIXING THE HORIZONTAL RAILS

MOTORISED door

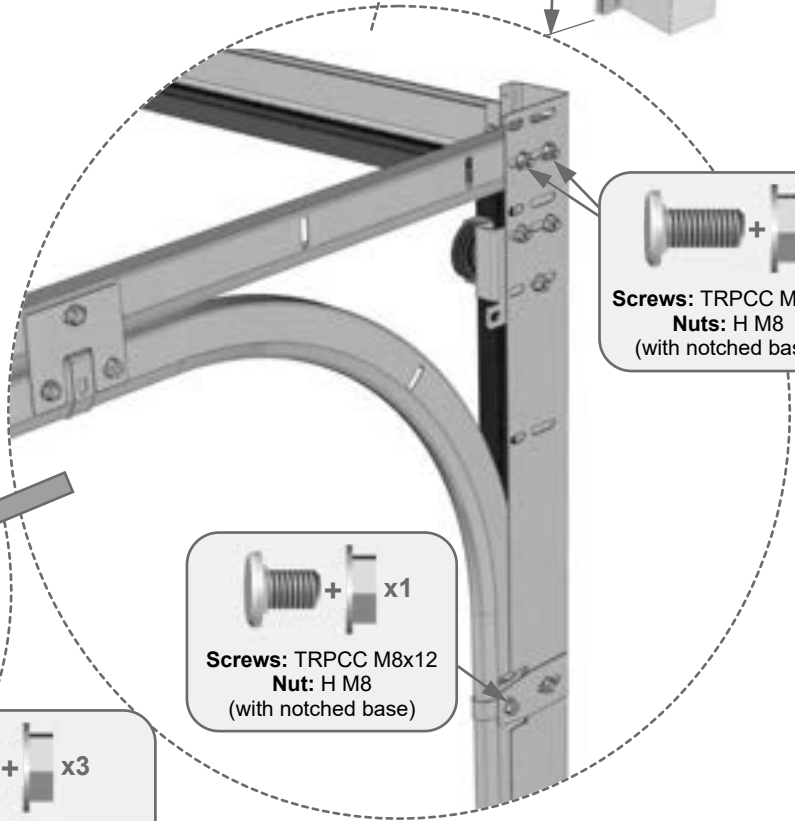


Kit 824 & 825

REINFORCEMENT
Door > 100 kg



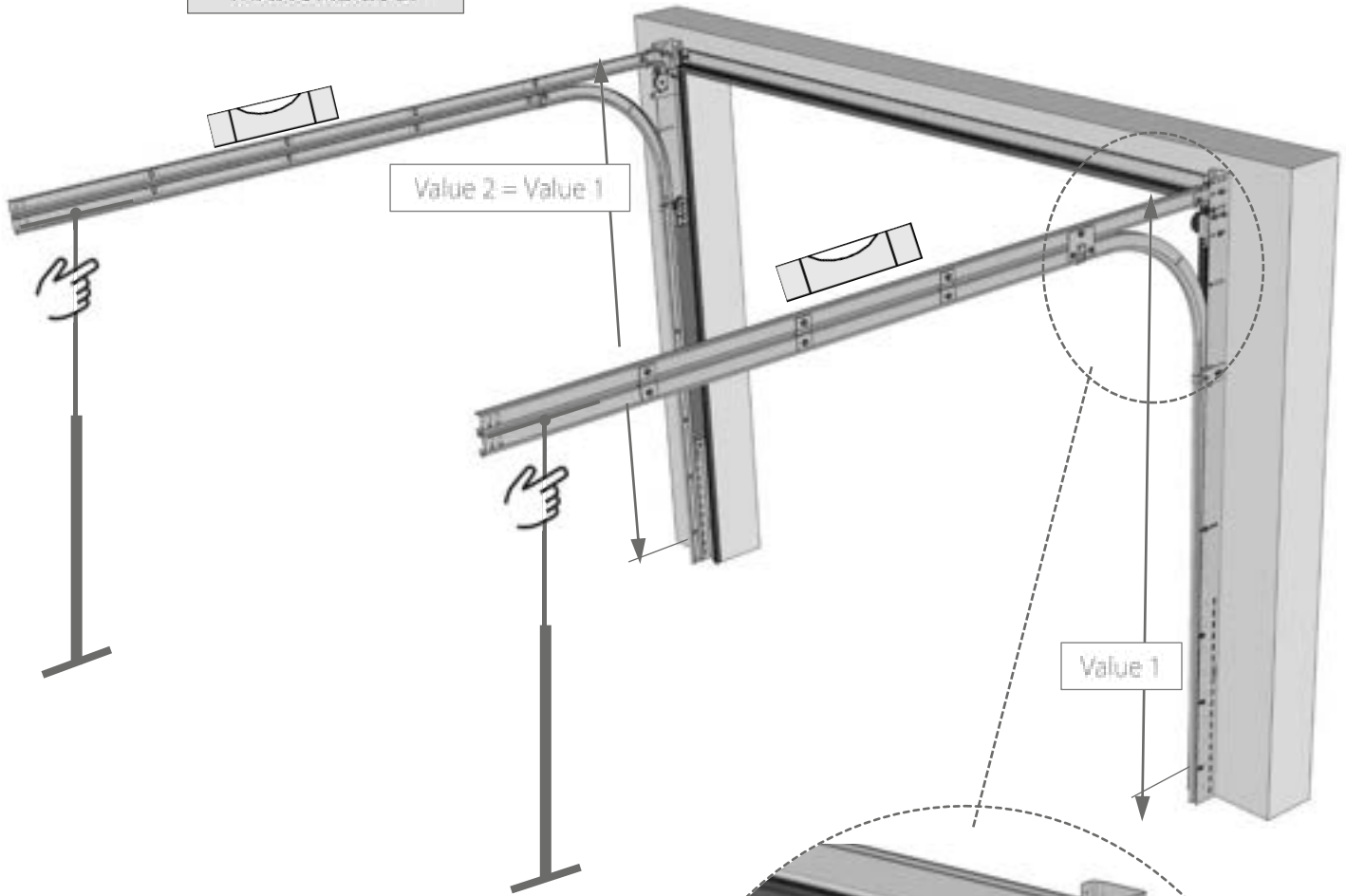
Screws: TRPCC M8x12
Nuts: H M8
(with notched base) x3



Screws: TRPCC M8x18
Nuts: H M8
(with notched base) x2

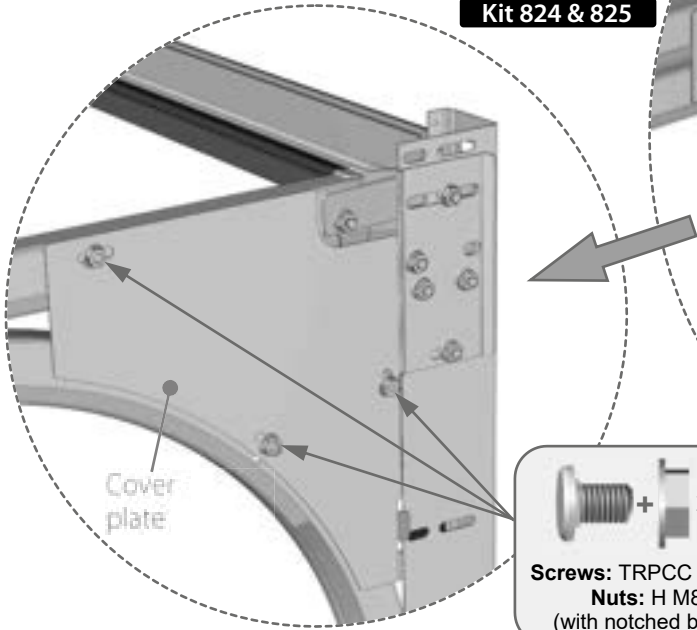
Screws: TRPCC M8x12
Nut: H M8
(with notched base) x1

MANUAL door



REINFORCEMENT
Door > 100 kg

Kit 824 & 825

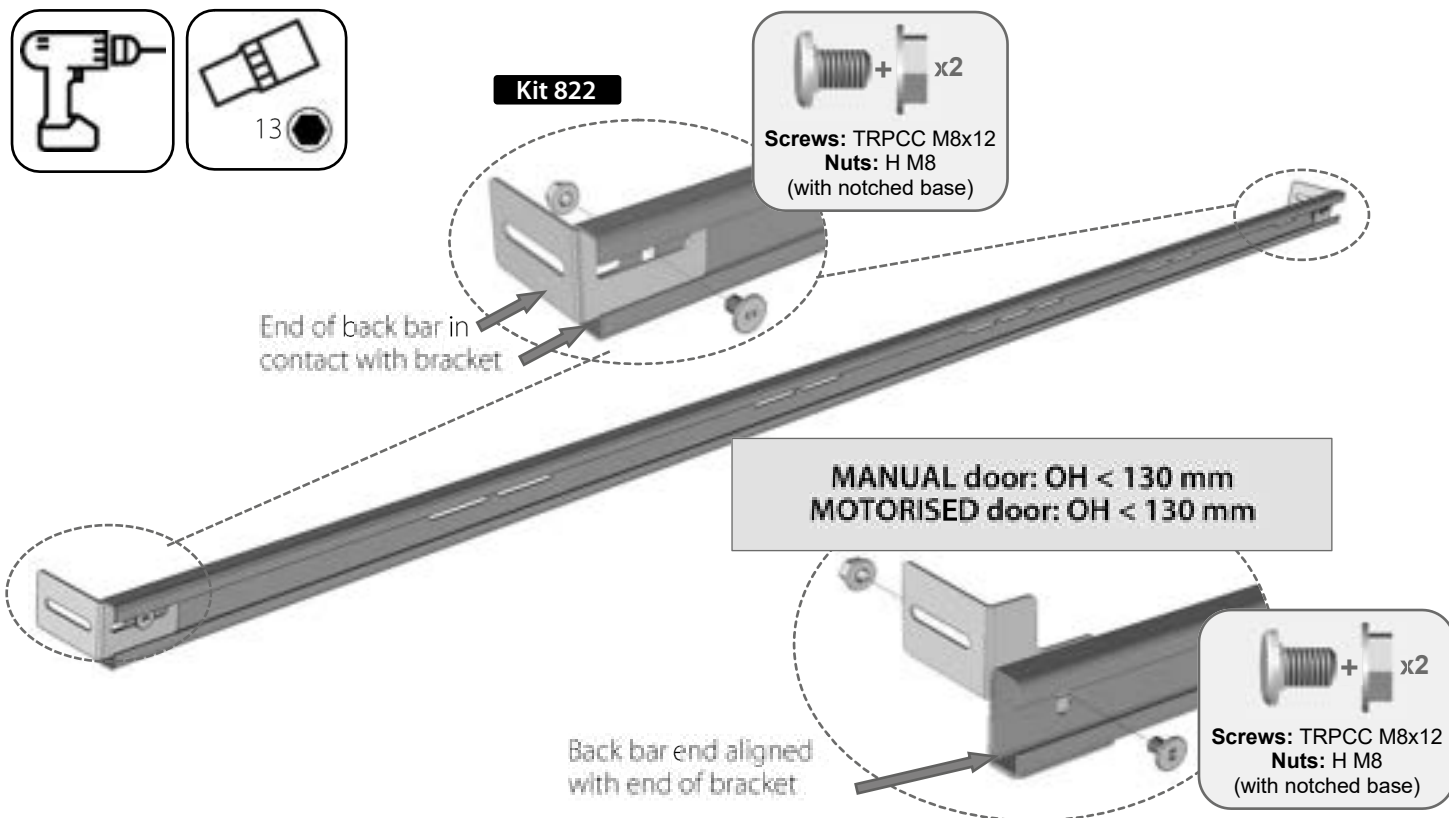


Screws: TRPCC M8x18
Nuts: H M8
(with notched base) x2

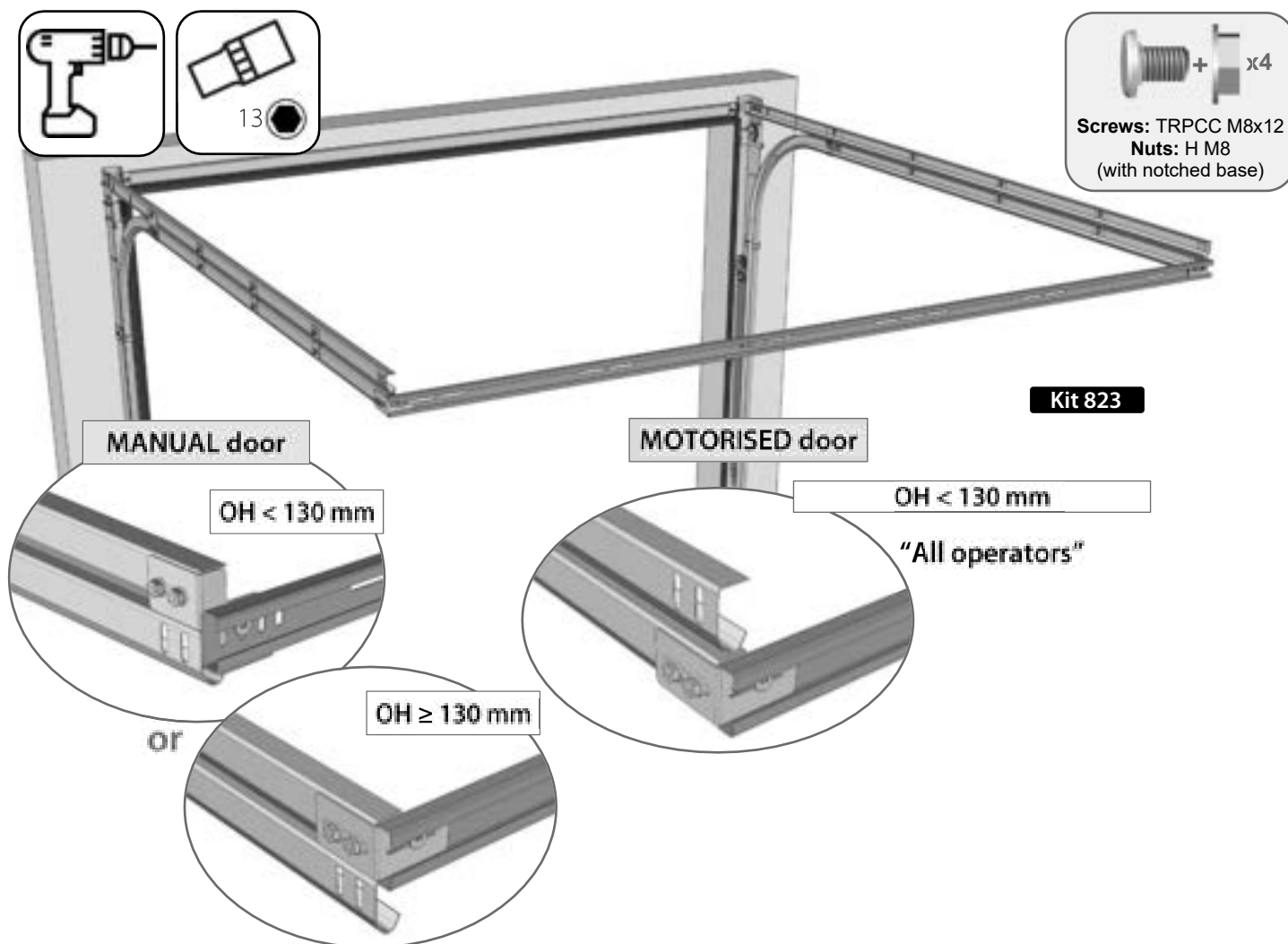
Screws: TRPCC M8x12
Nut: H M8
(with notched base) x1

Screws: TRPCC M8x12
Nuts: H M8
(with notched base) x3

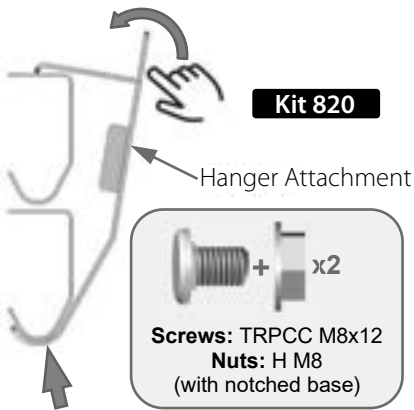
ASSEMBLING THE BACK BAR BRACKETS



INSTALLING THE BACK BAR



INSTALLING THE HANGERS

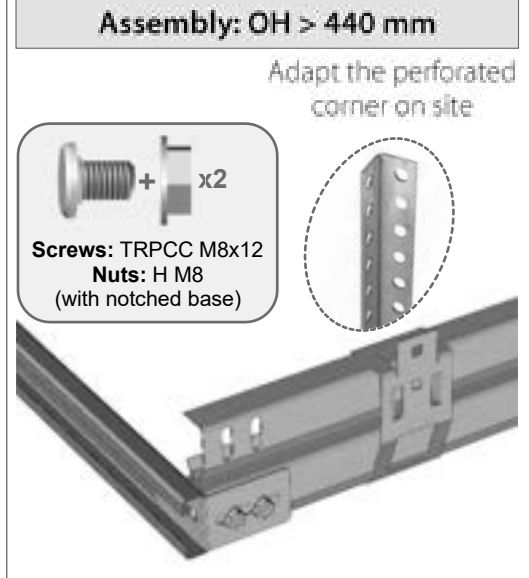
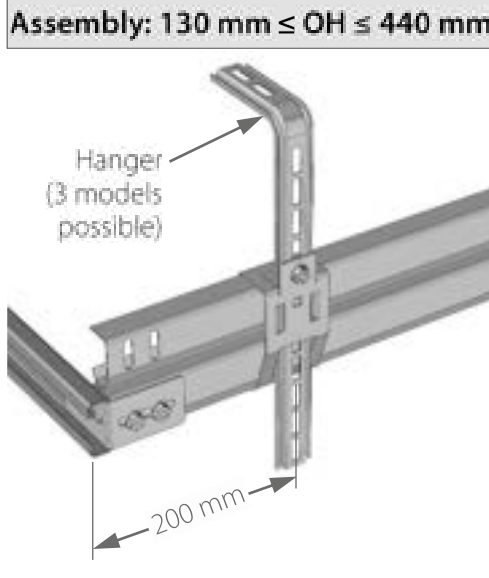
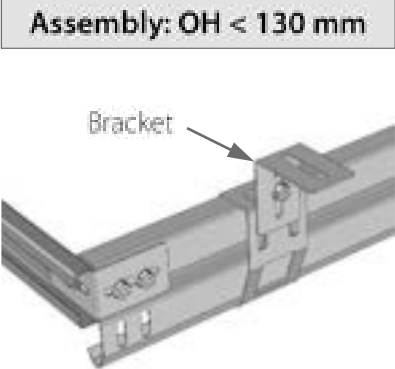


Do not fasten the hangers to the masonry.
Do not fully tighten the screws with nuts.

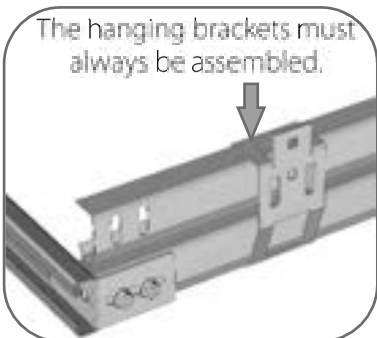


Adapt the number of hangers to the dimensions of the doors:

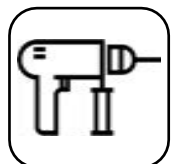
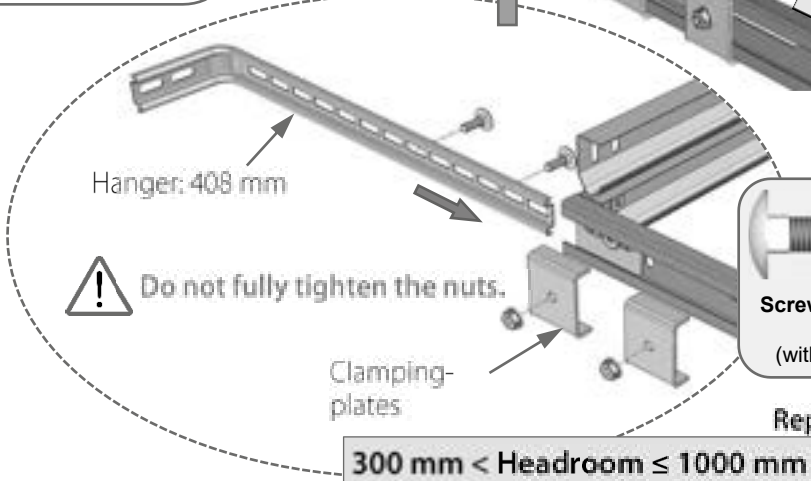
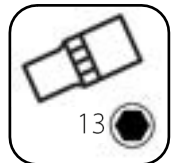
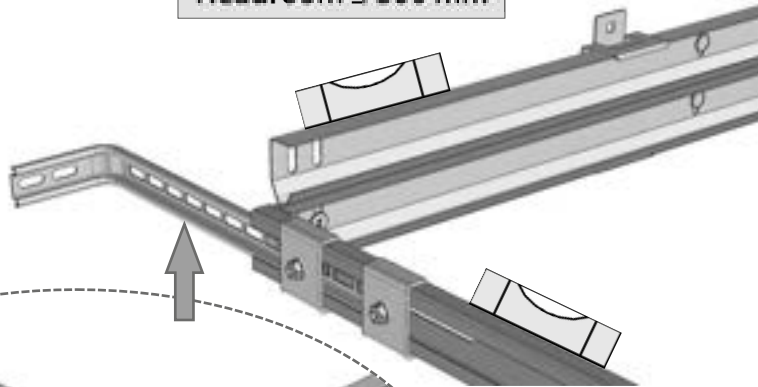
- 2 hangers, if PW ≤ 3000 or PH ≤ 2150 mm
- 4 hangers, if PW > 3000 or PH > 2150 mm



Back bar extension (option)

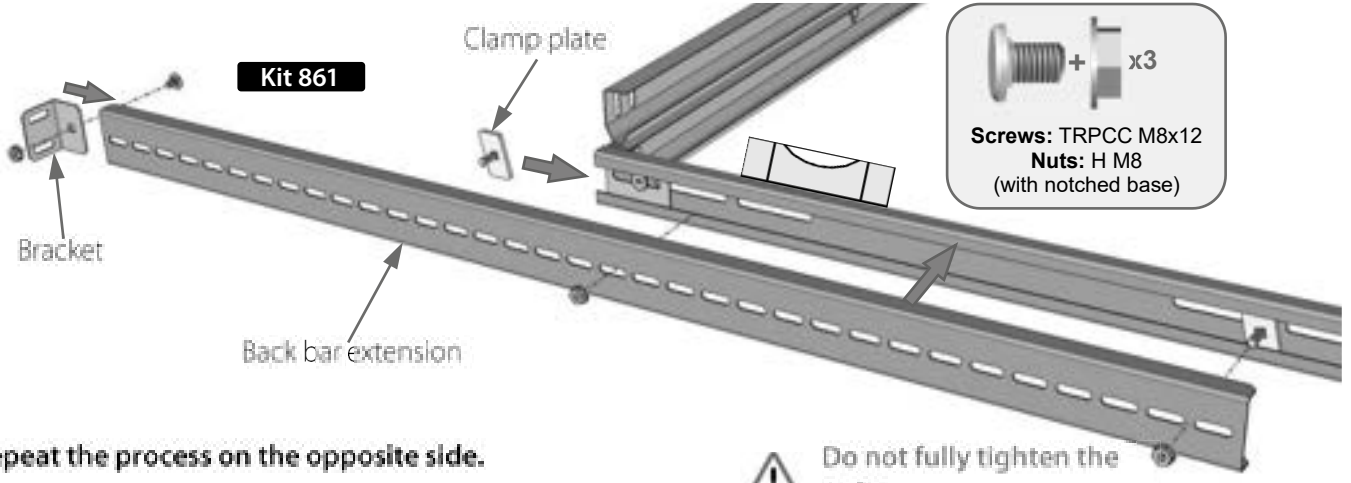


Headroom ≤ 300 mm



Repeat the process on the opposite side.

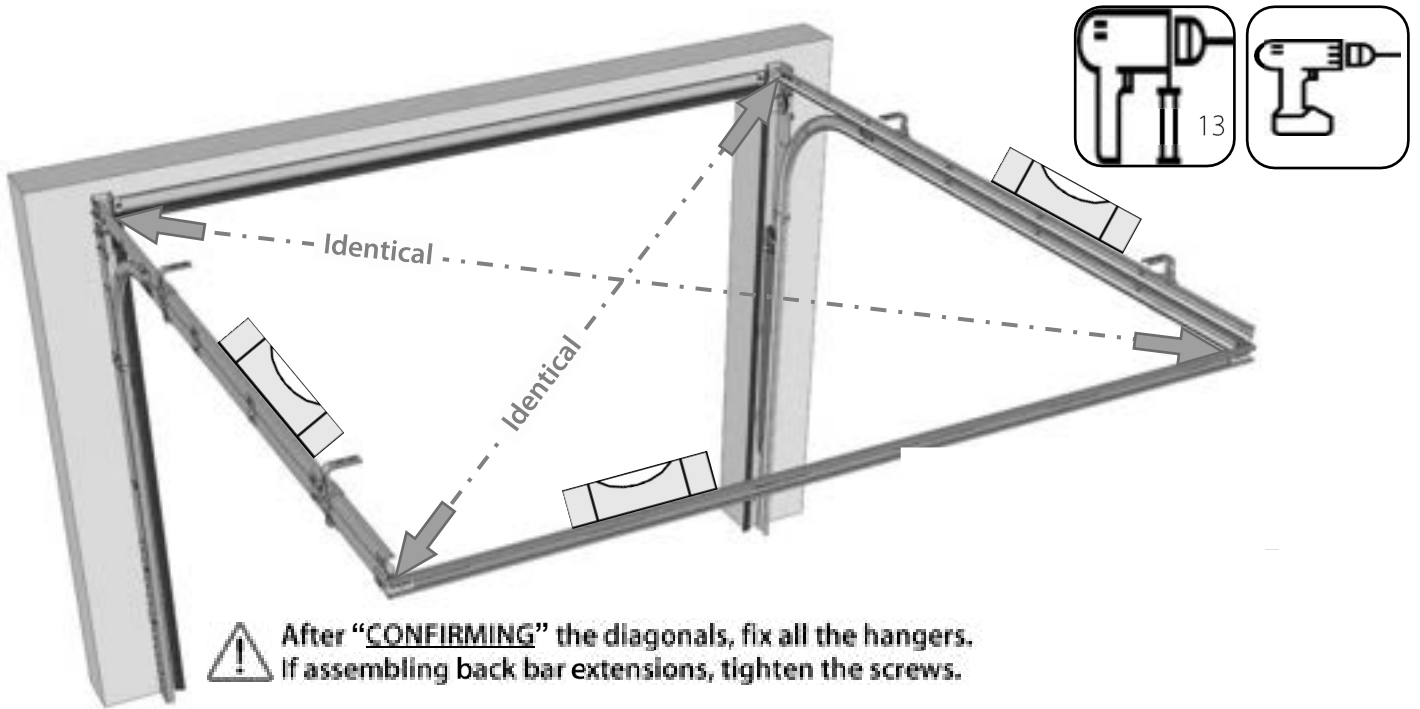
300 mm < Headroom ≤ 1000 mm



Repeat the process on the opposite side.

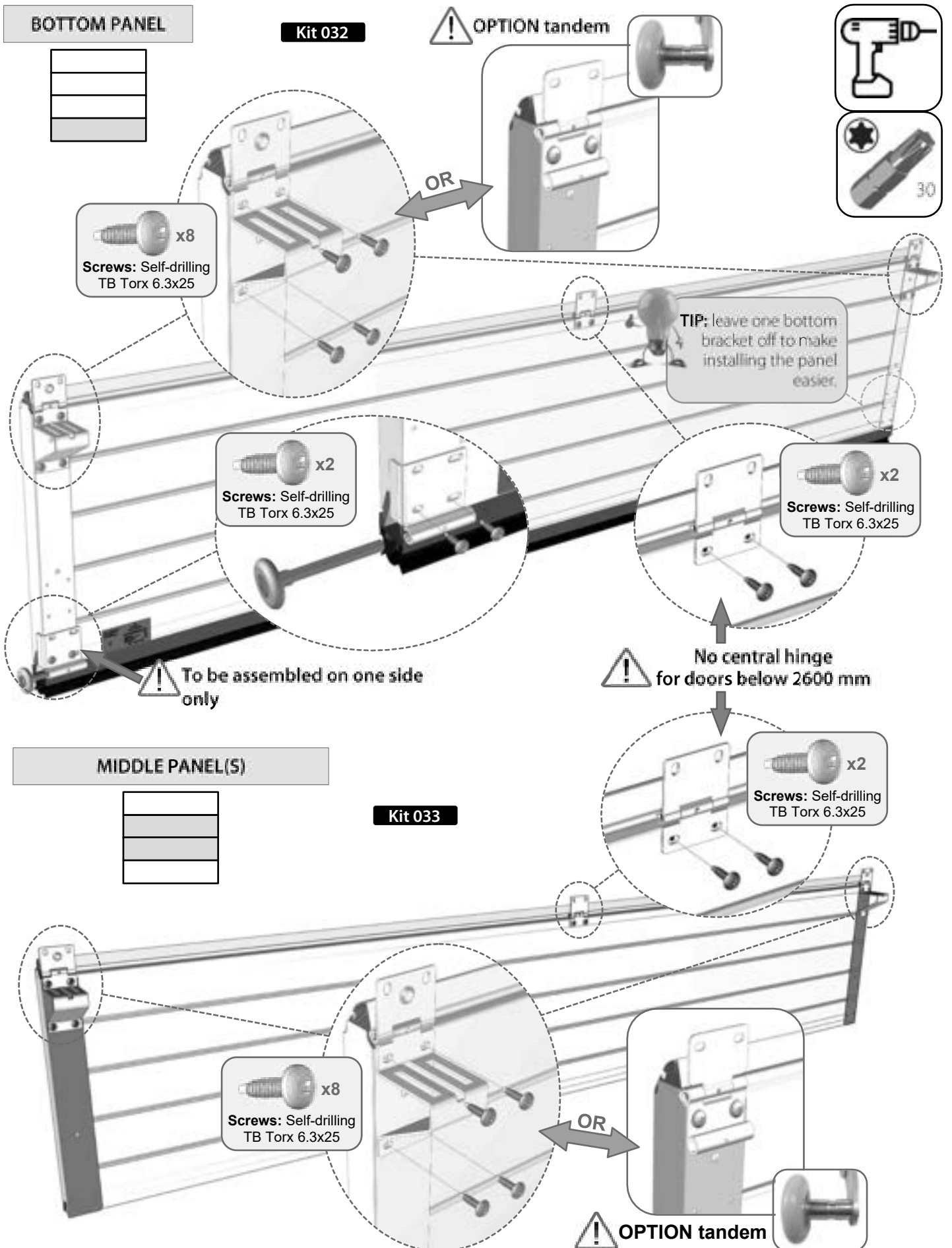
⚠ Do not fully tighten the nuts.

CHECKING THE DIAGONALS

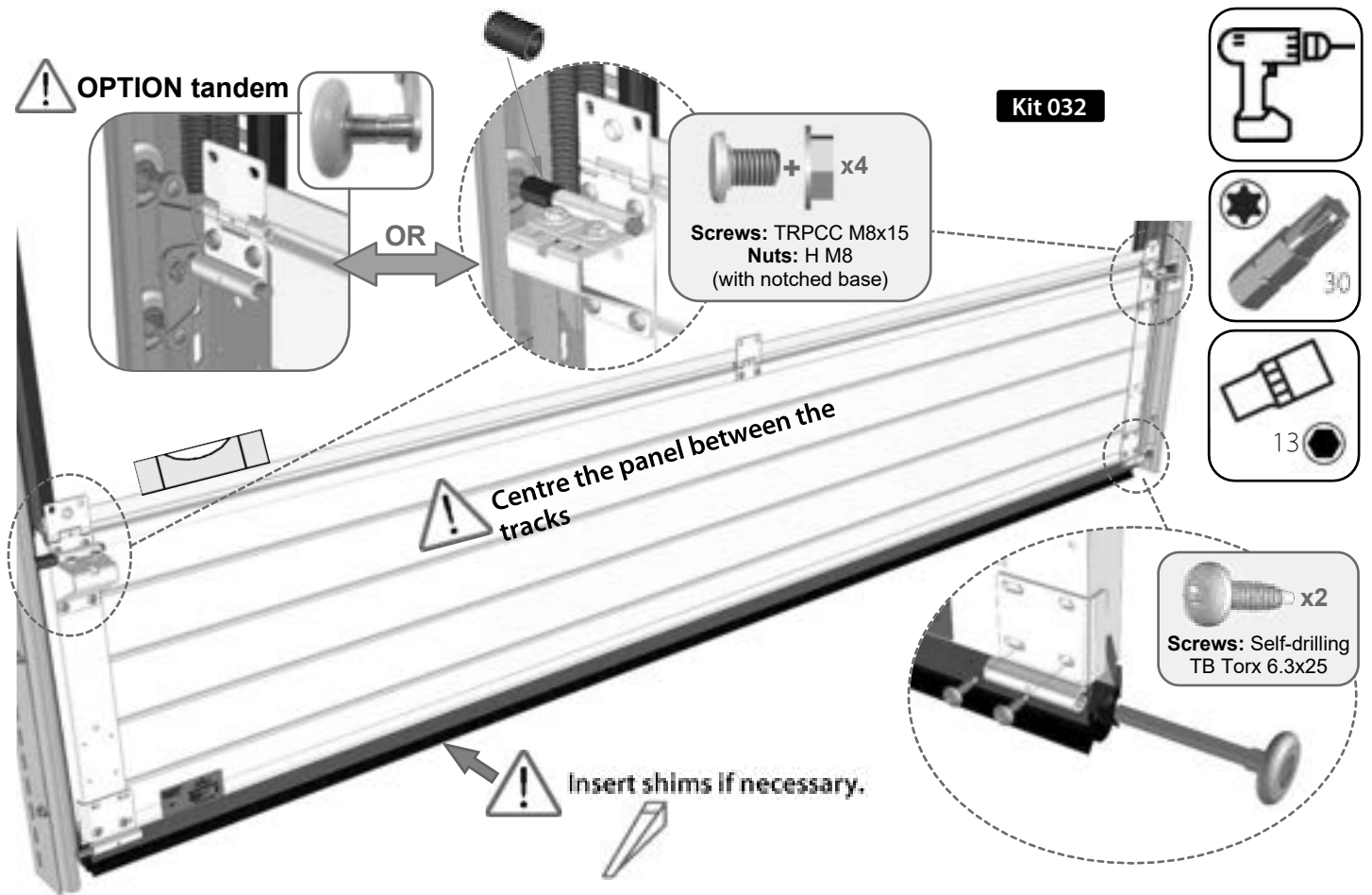


08. PANEL ASSEMBLY

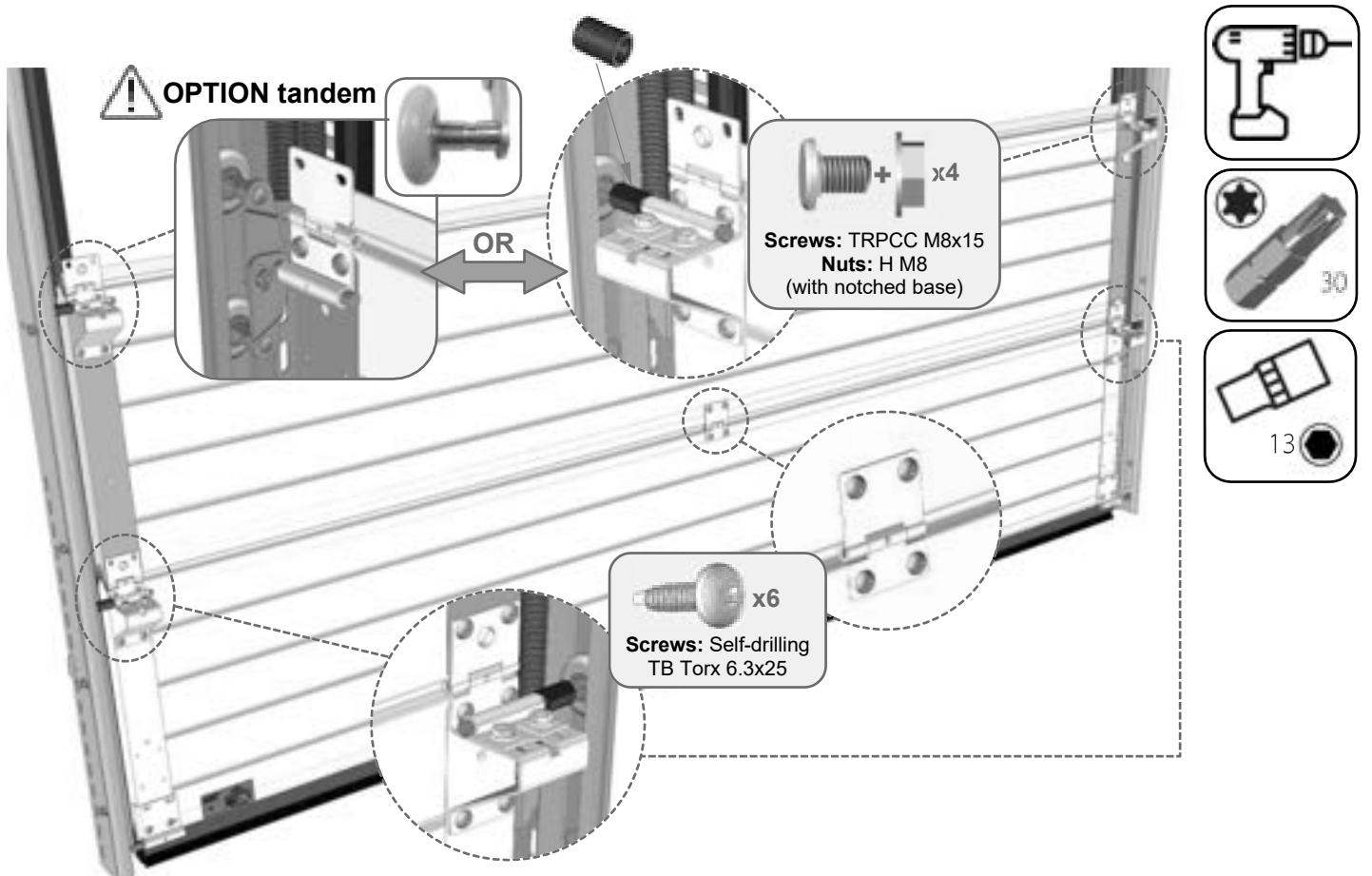
PANEL PREPARATION



INSTALLING THE BOTTOM PANEL

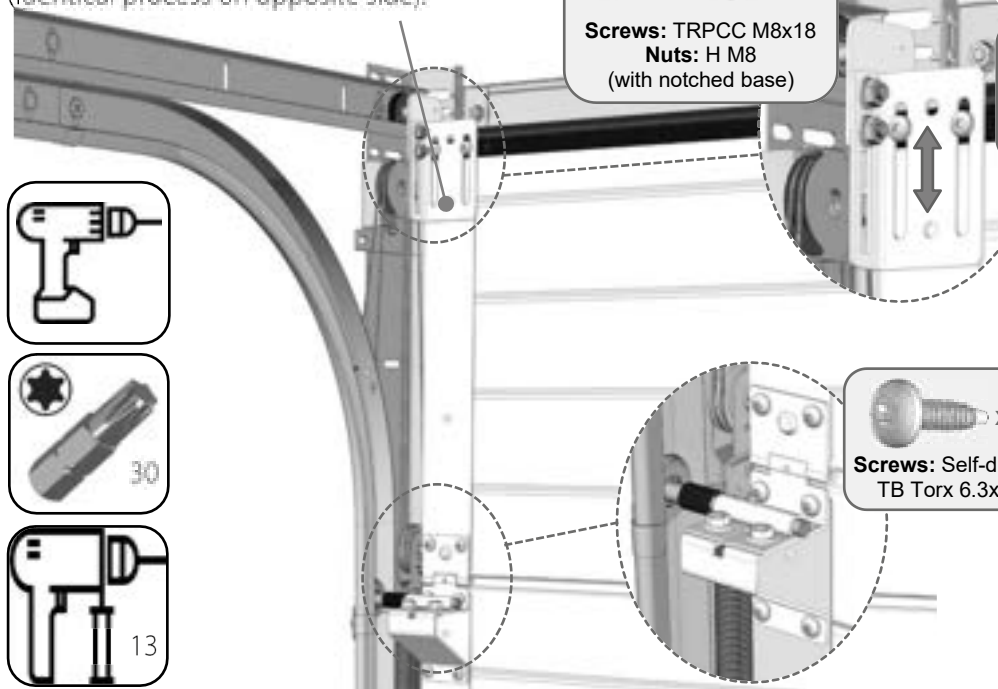


INSTALLING THE MIDDLE PANEL(S)



INSTALLING THE TOP PANELS

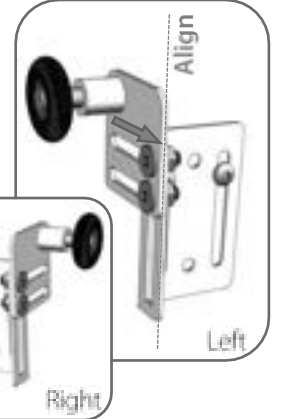
IMPORTANT: Remove the rivet from the top of the end cap to allow the top bracket to sit flat (identical process on opposite side).



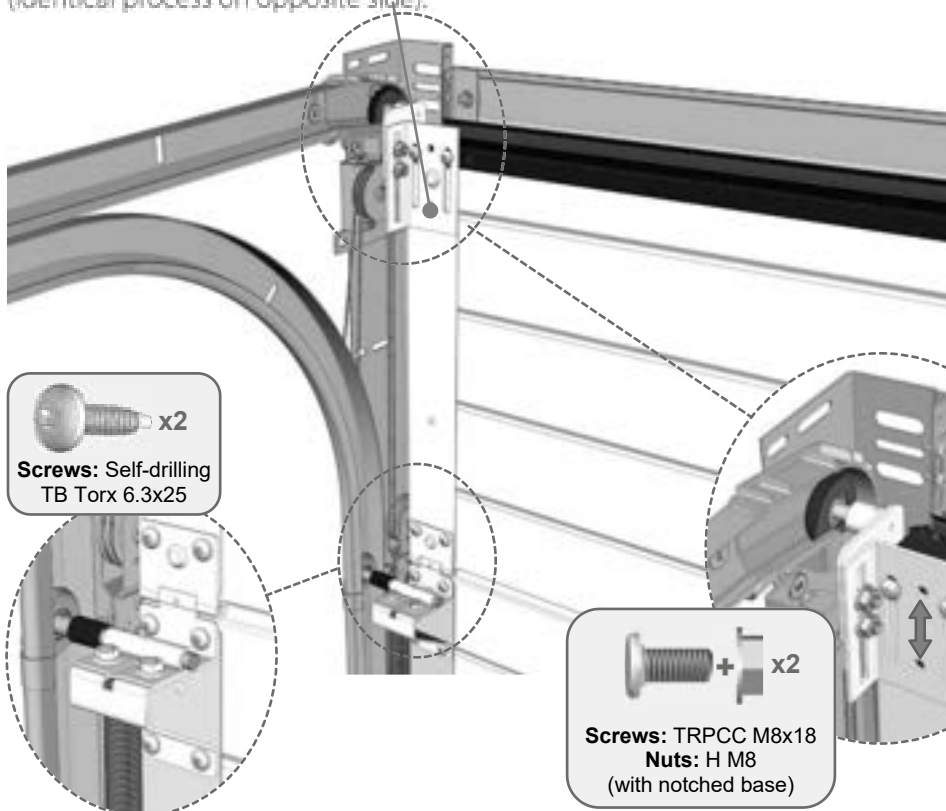
MOTORISED door
Adjust the upper rollers



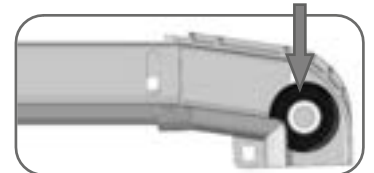
Assemble the adjustable rollers



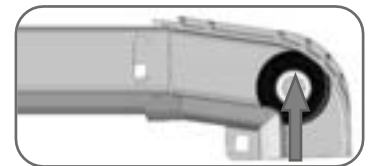
IMPORTANT: Remove the rivet from the top of the end cap to allow the top bracket to sit flat (identical process on opposite side).



MANUAL door
Adjust the upper rollers



MANUAL version
or

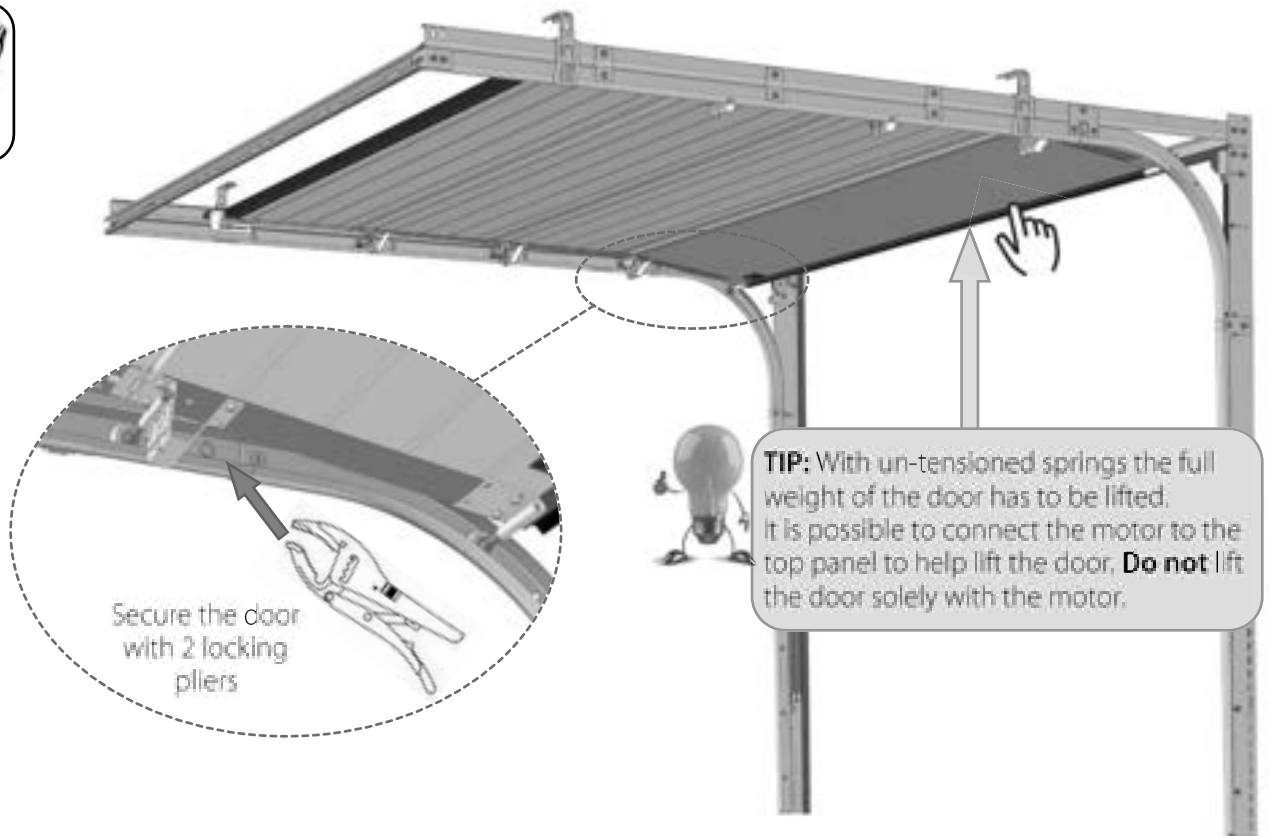


MOTORISED version

Kit 840

09. CABLE ATTACHMENT

OPENING THE DOOR



Secure the door with 2 locking pliers

TIP: With un-tensioned springs the full weight of the door has to be lifted. It is possible to connect the motor to the top panel to help lift the door, **Do not** lift the door solely with the motor.

CABLE ATTACHMENT POINTS

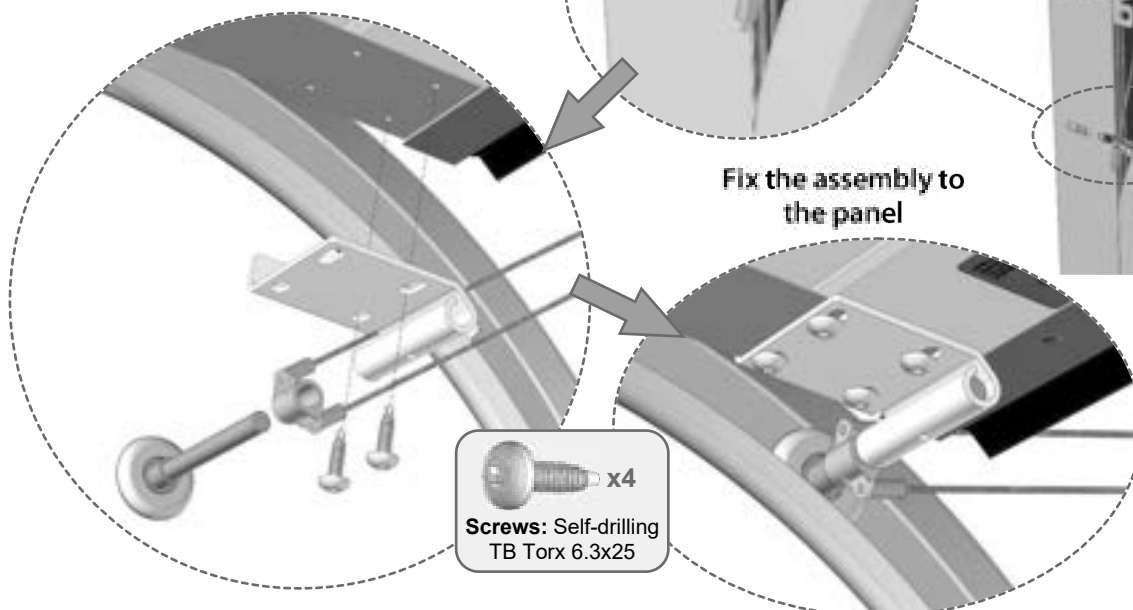


Pass the cable holder over the bottom roller

Cut the left side of the cable-tie.



Fix the assembly to the panel



Kit 830

Repeat the process on the opposite side.



Check that the cables do not cross (parallel cables).

CHECKING THE BALANCE



Remove the **locking pliers**.

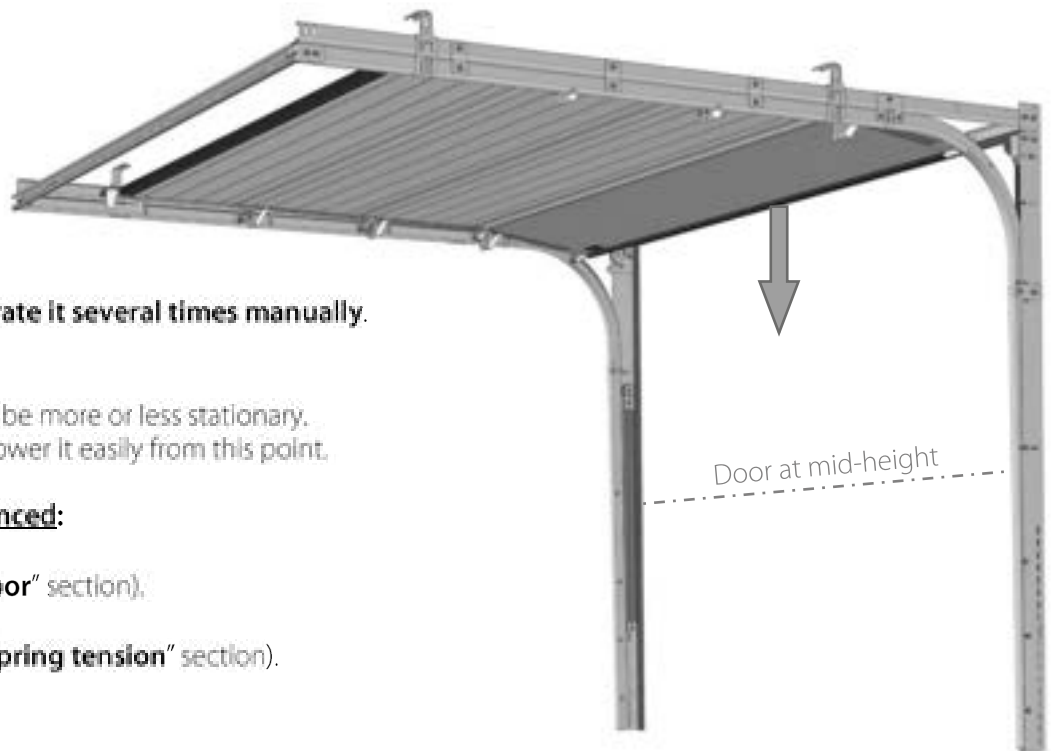
Gently close the door and **operate it several times manually**.

The shutter is well-balanced:

- At mid-height, the door must be more or less stationary.
You must be able to raise or lower it easily from this point.

If the shutter is not well-balanced:

- Raise and secure the door.
(refer to the "Opening the door" section).
- Tighten or loosen the springs
(refer to the "Adjusting the spring tension" section).

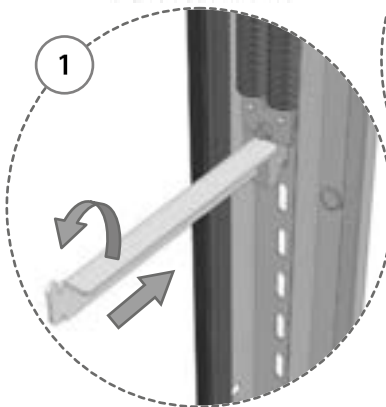


ADJUSTING THE SPRING TENSION

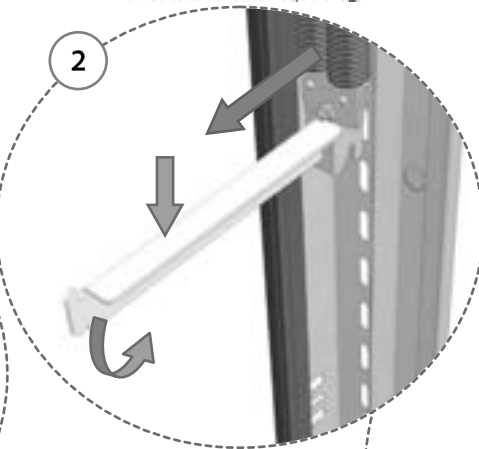


Tension
spring
tool

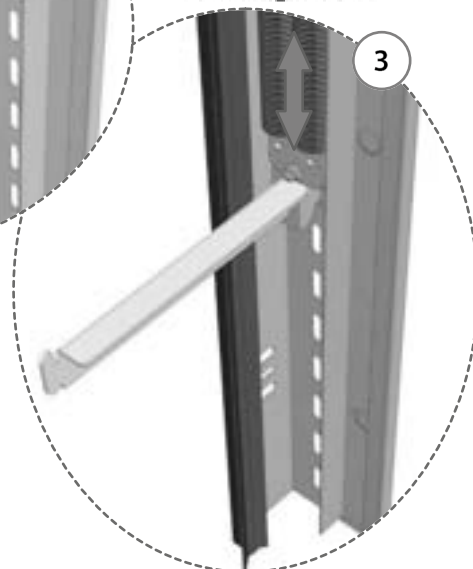
Insert the tool



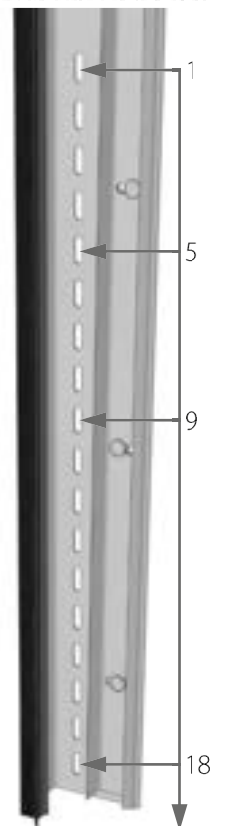
Unhook the spring



Choose a
hooking notch



Count the notches



Repeat the process for the other spring.



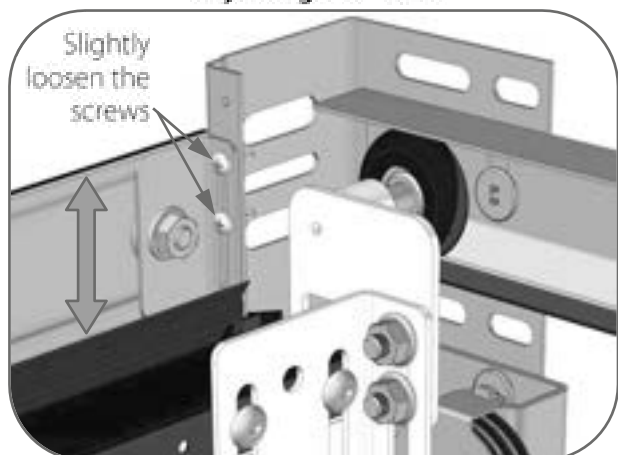
Make sure the 2 springs are positioned on the same notch.
Check that the spring hooks are securely fastened to the rails.

Check the balance again: Refer to the "Checking the balance" section above.

10. FINAL ADJUSTMENTS & OPTIONAL EXTRAS

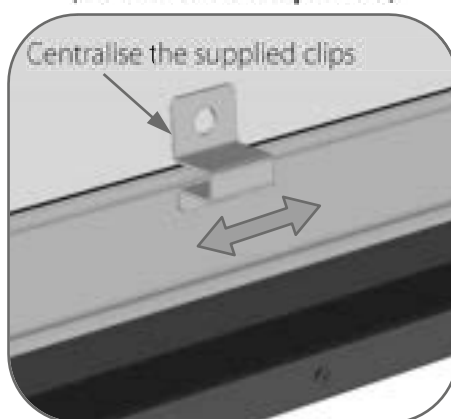
ADJUSTING AND FIXING THE FASCIA

Adjusting the fascia

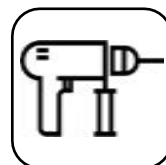


Repeat the process on the opposite side

Fixing the fascia (Install after the operator)



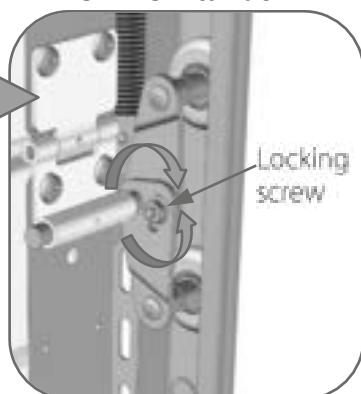
Use appropriate fittings
for the support
(screws and pins not supplied)



ADJUSTING THE ROLLERS

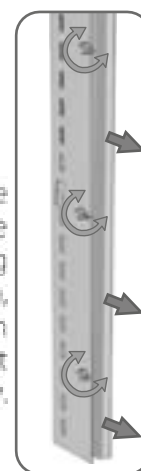


OPTION tandem



OR

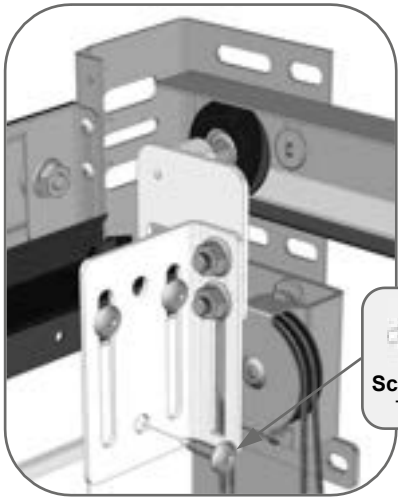
Please note: If the door jams at the end of the closing operation, move the bottom of the rails apart slightly.



The roller rod must be able to turn freely.
Do not flatten the vertical seals of the shutter.

Repeat the process for all rollers.

FIXING THE UPPER ROLLER SUPPORTS



Add



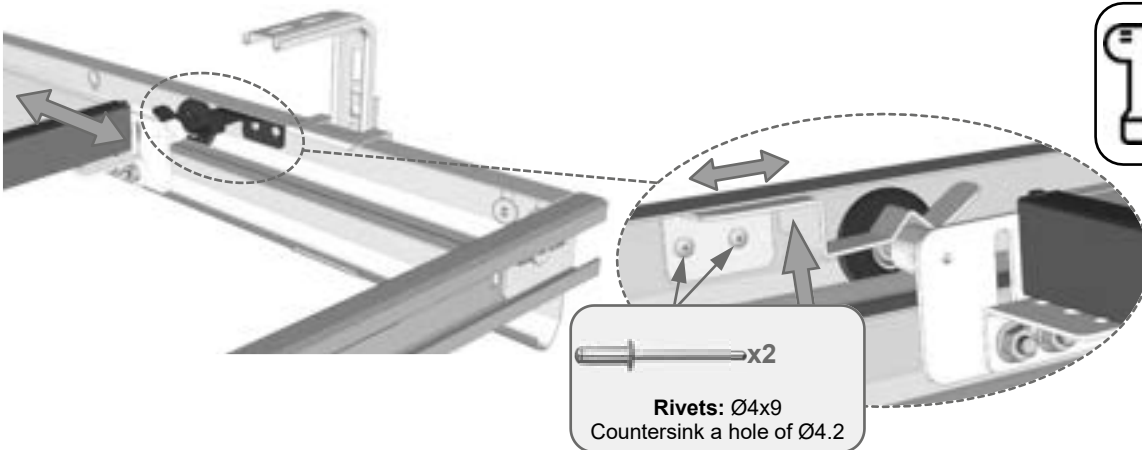
x1

Screws: Self-drilling
TB Torx 6.3x25



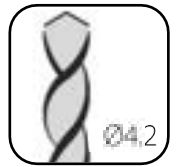
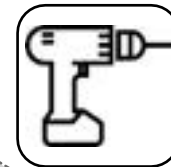
Repeat the process on the opposite side.

FIXING THE END POSITION CLIPS (MANUAL DOOR)



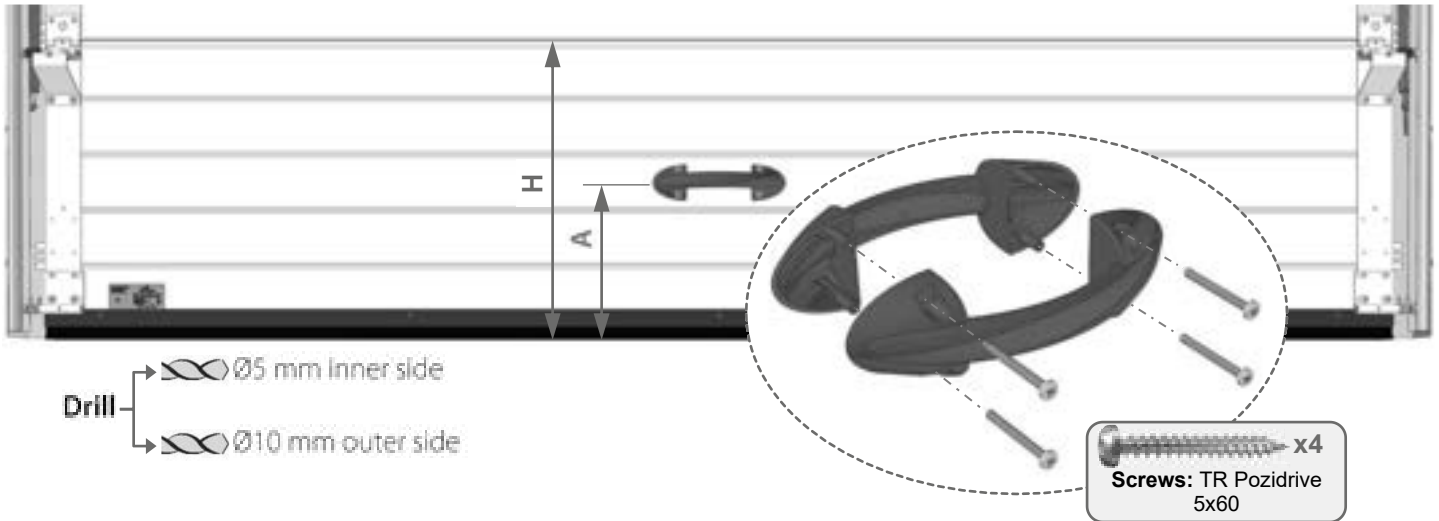
x2

Rivets: Ø4x9
Countersink a hole of Ø4.2



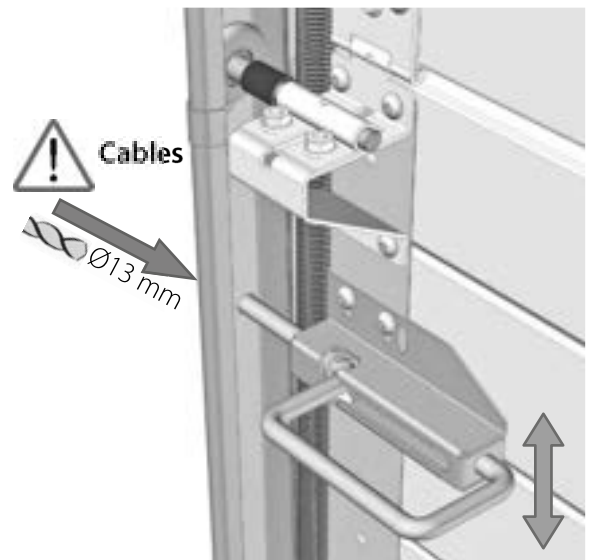
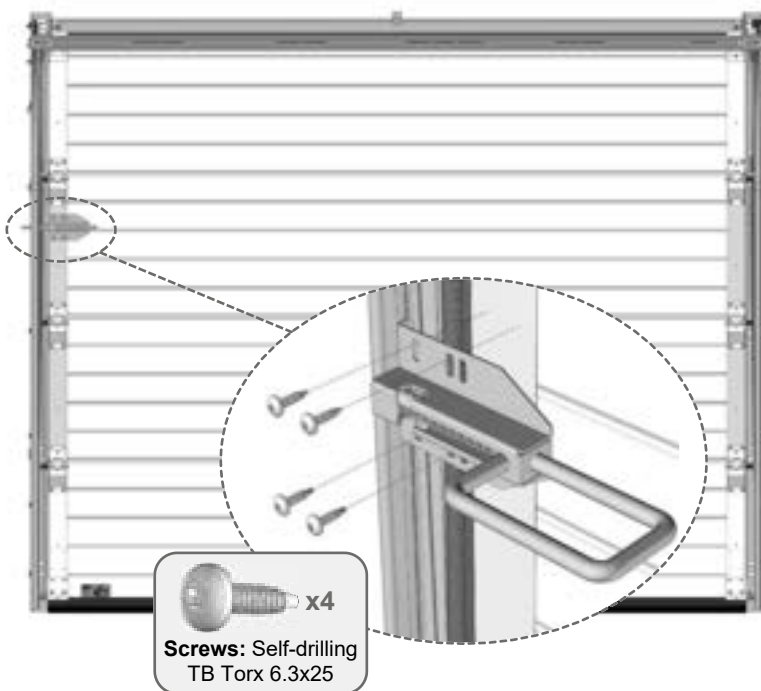
ASSEMBLING THE HANDLES (OPTIONAL EXTRA)

On the bottom panel: Max. handle position: $A = H / 3$



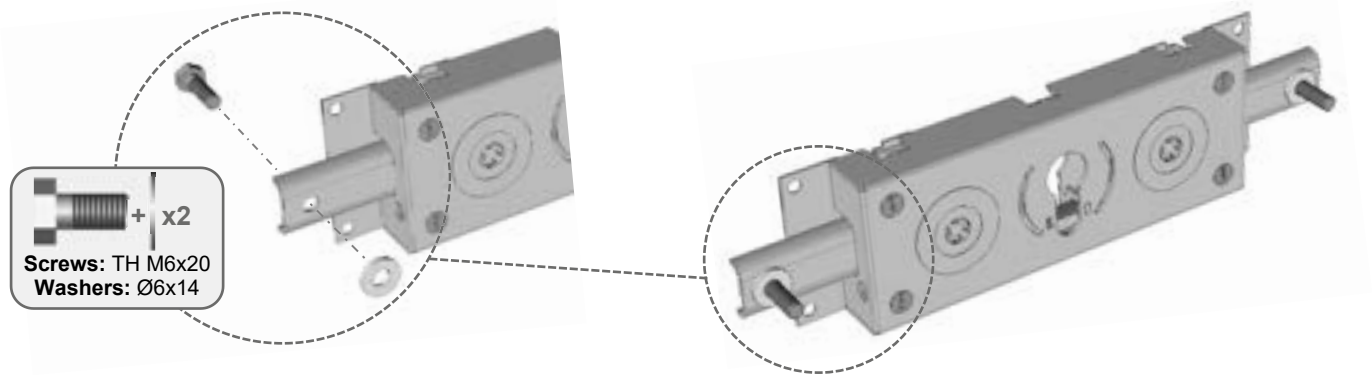
ASSEMBLING THE SLIDE BOLT (OPTIONAL ON MOTORISED DOORS)

On 2nd middle panel:

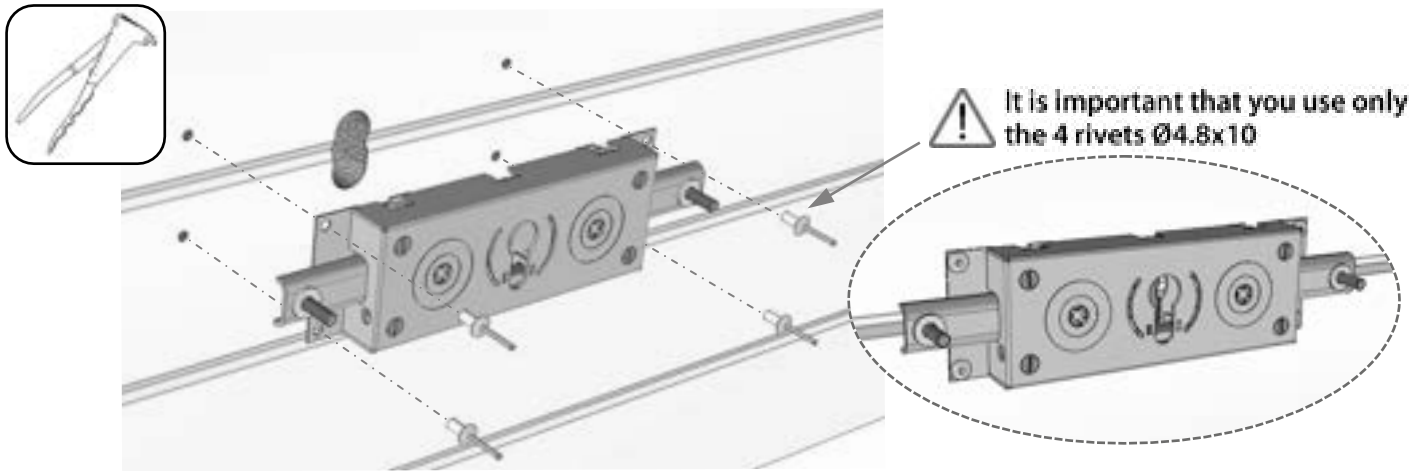


INSTALLING THE LOCK (OPTIONAL EXTRA)

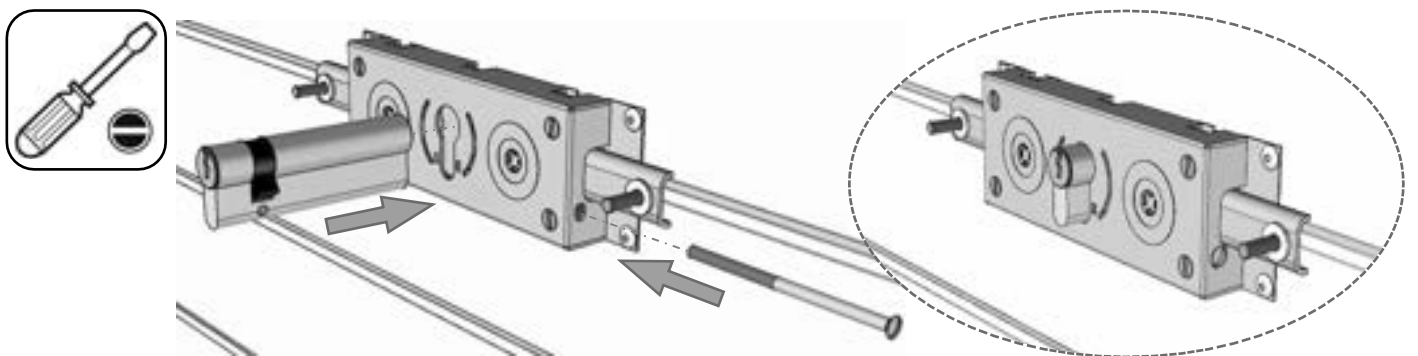
Prepare the lock:



Fixing the lock:



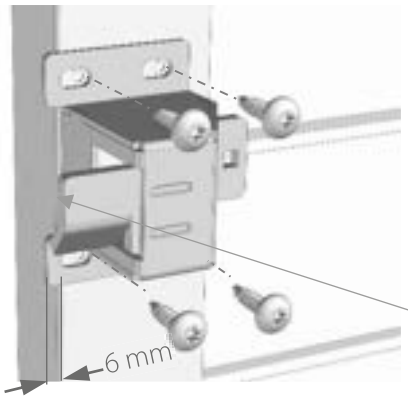
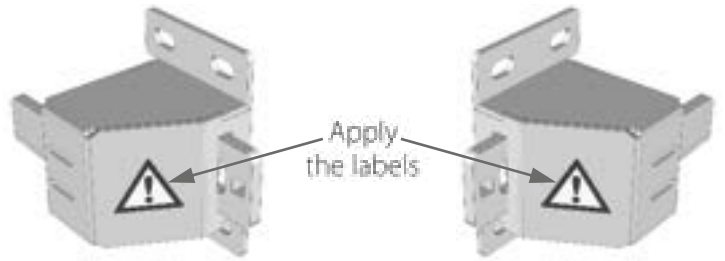
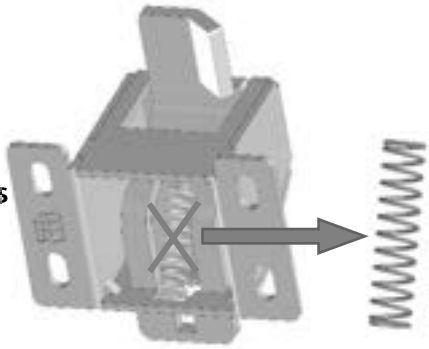
Assembling the cylinder:



Preparing the latches (left and right):

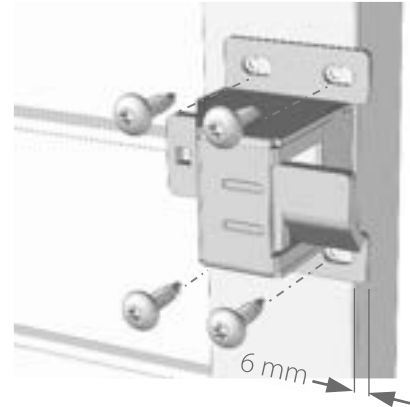
IMPORTANT

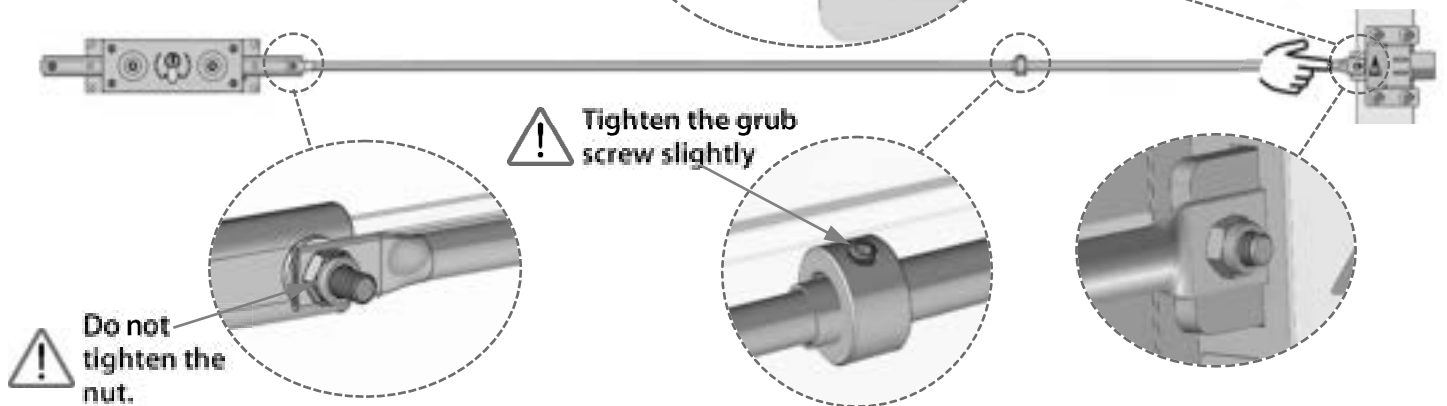
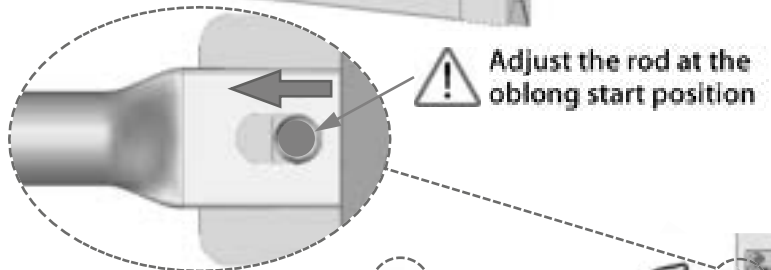
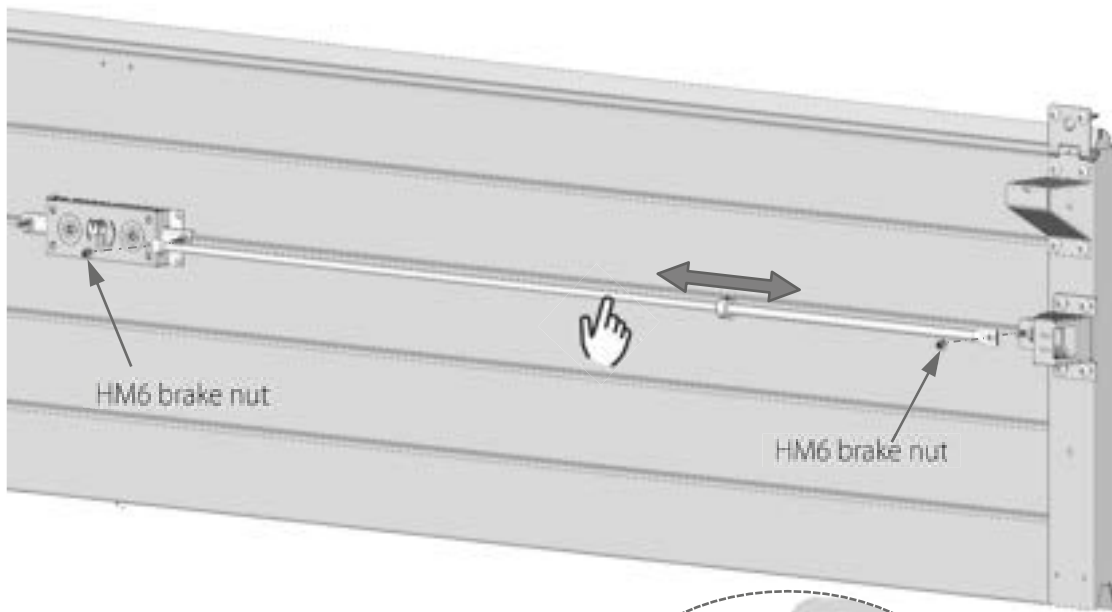
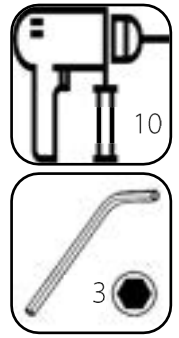
Remove the springs from the left and right bolts



 x8
Screws: Self-drilling
TB Torx 6.3x25

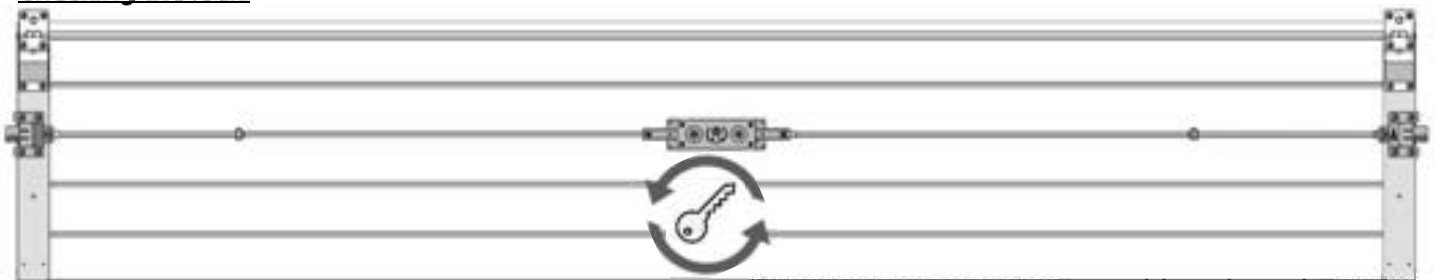
Hang the latches over the end cap by about 6mm.





Repeat the procedure for the second rod.

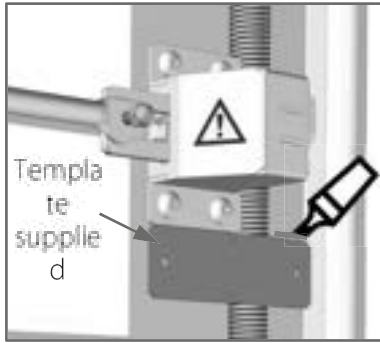
Checking the lock:



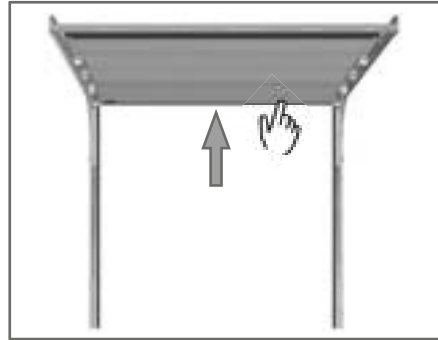
If necessary, return to the "Assembling the rods" section.

POSITIONING THE LOCK PLATES

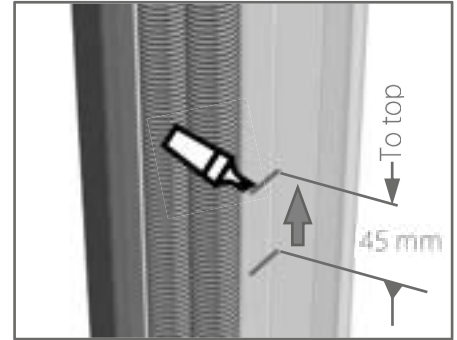
1- Mark out (on the 2 latches)



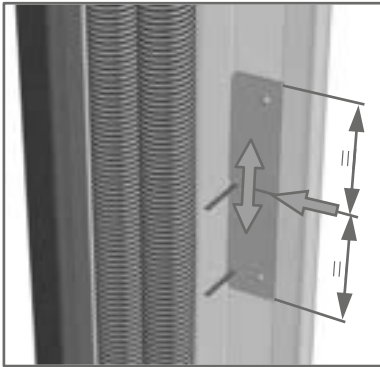
2- Open the door



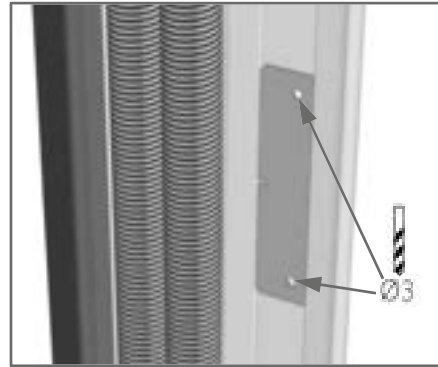
3- Offset the marking



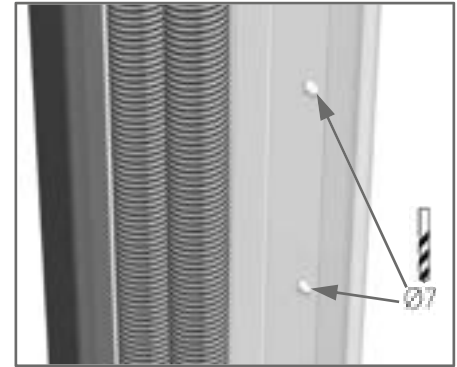
4- Position the template



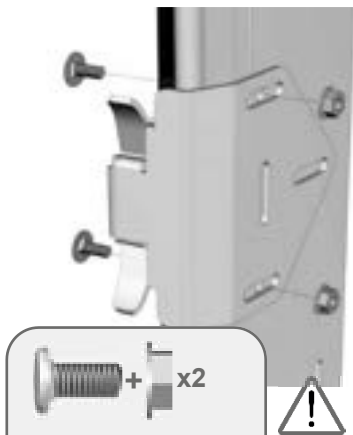
5- Mark out the drill holes



6- Drill the holes



Fixing the lock plates:

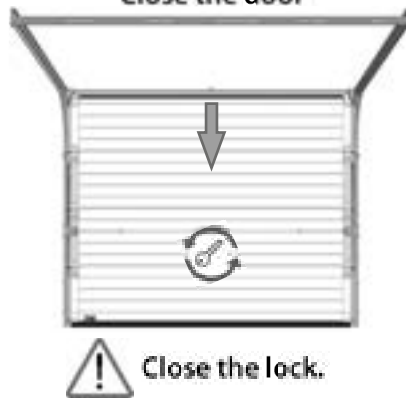


Screws: TRPCC M6x16
Nuts: H M6 (with notched base)



Do not fully tighten the nuts.

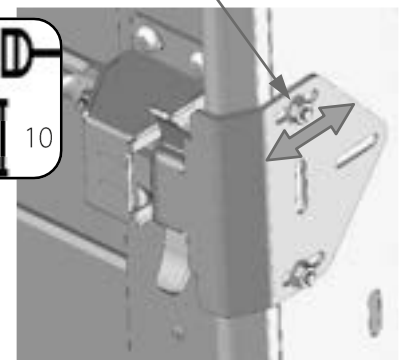
Close the door



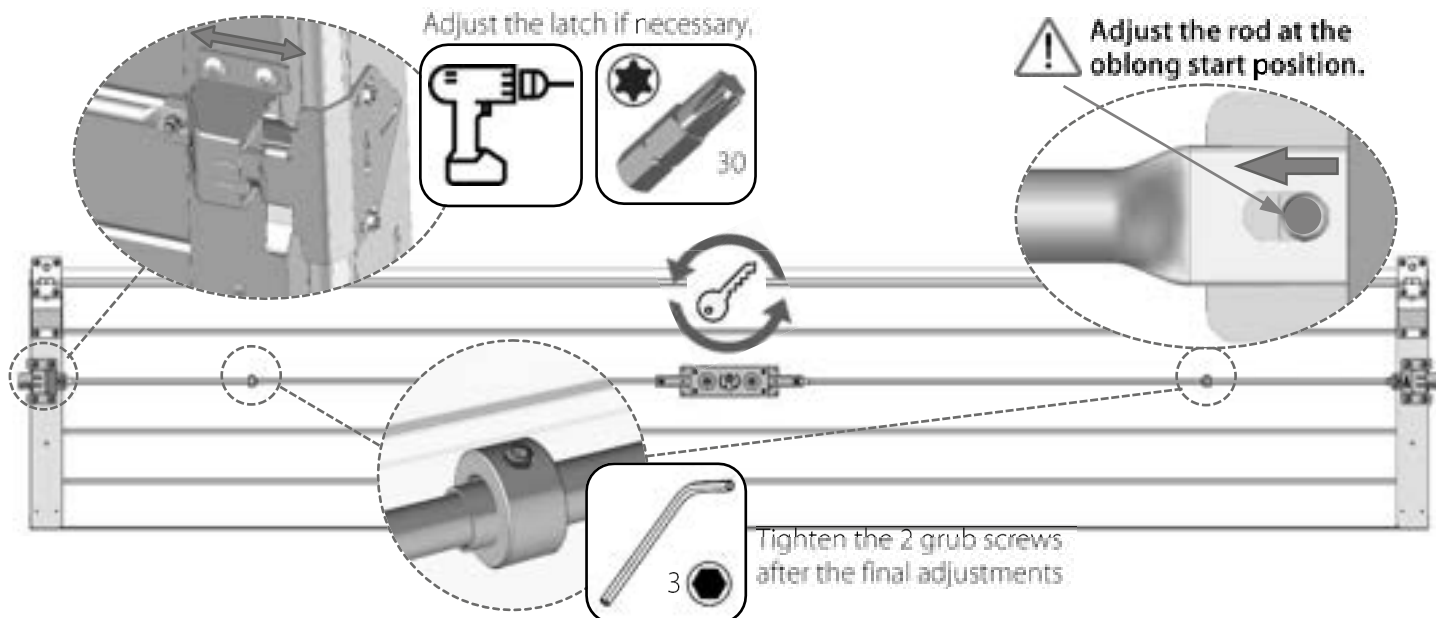
Close the lock.

Adjust the lock plates

Tighten the nuts after adjusting

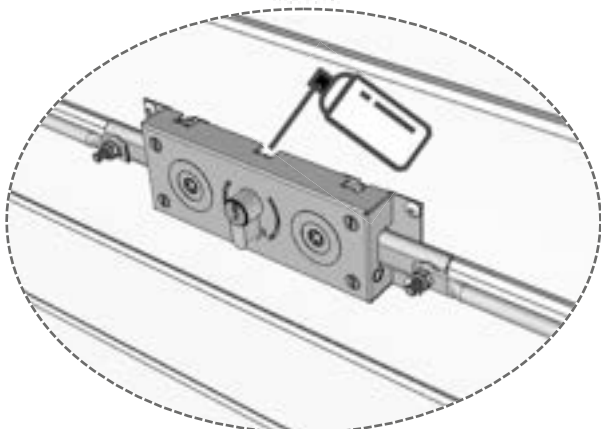


Allow some play between the strike plate and the latch.

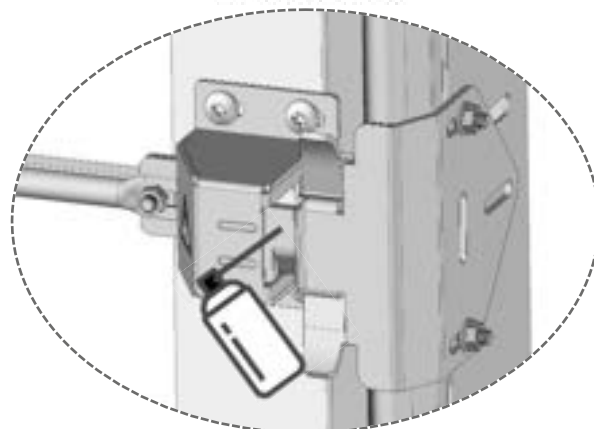


Lightly grease the lock and the 2 latches:

Lock



On the latches

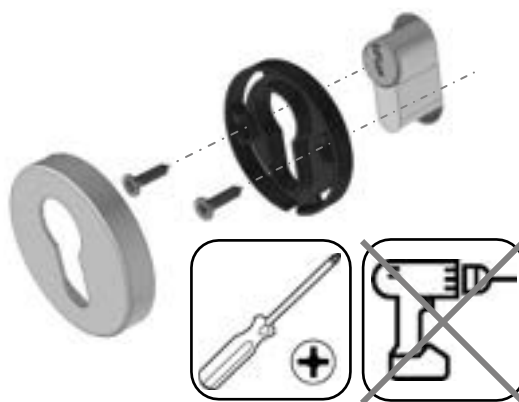
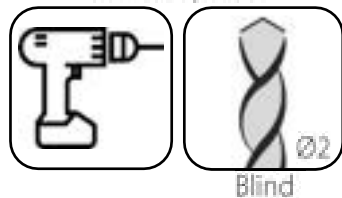


IMPORTANT:

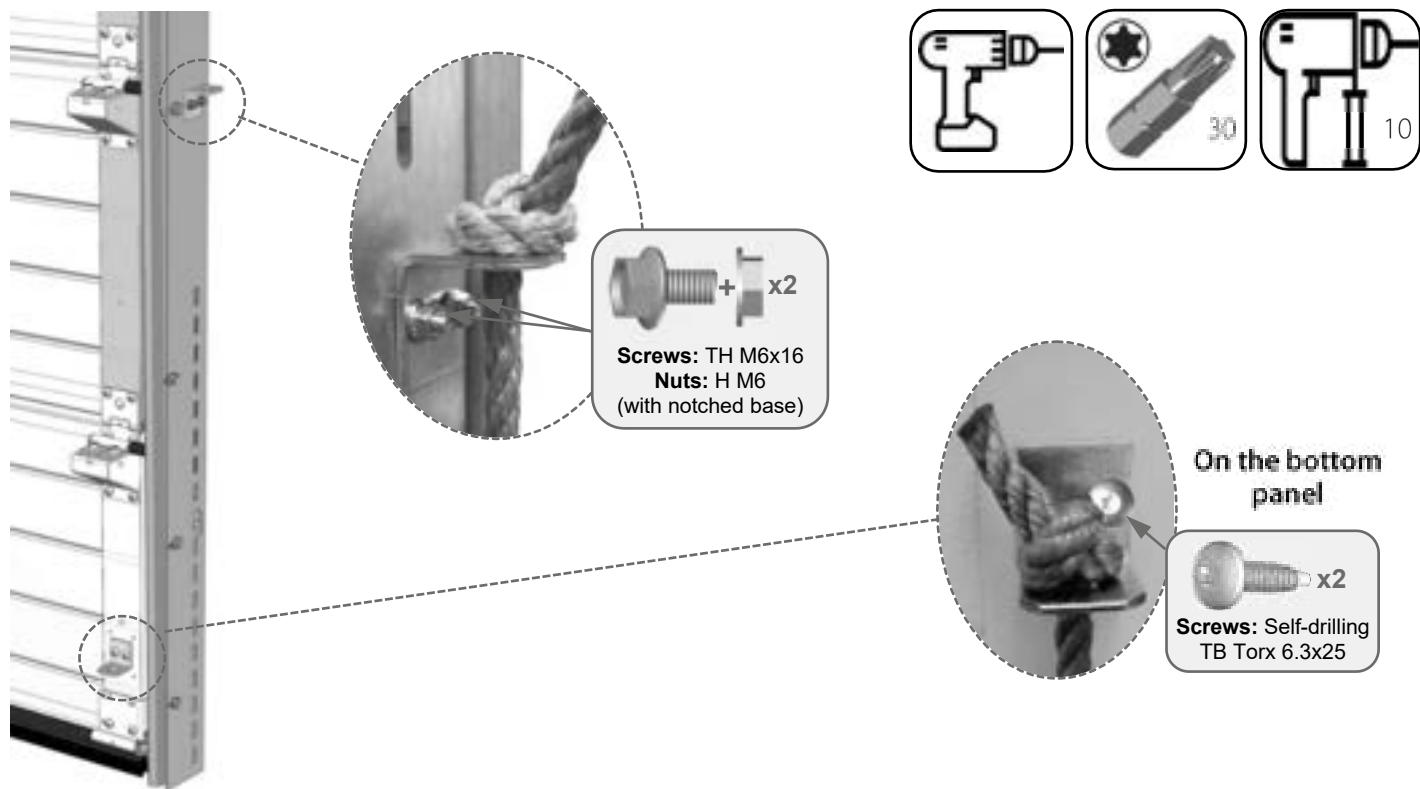
If you feel a rough spot, check the installation of the latches, rods and locking plates.

Fixing the cover plate:

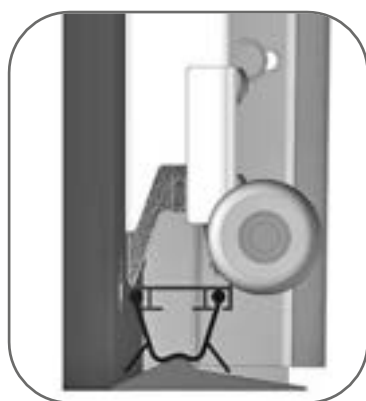
Drill the panel



INSTALLING THE PULL CORD (MANUAL DOOR)

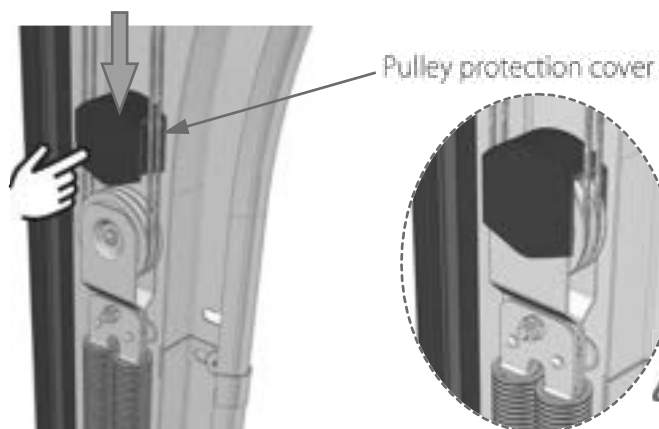


SECEUROSEAL WEATHER SEAL (OPTIONAL)



Weather seal section
to be glued to the floor between the rails.
Refer to SeceuroSeal Installation Instructions.

ASSEMBLING THE SPRING PULLEY COVERS (OPTIONAL)

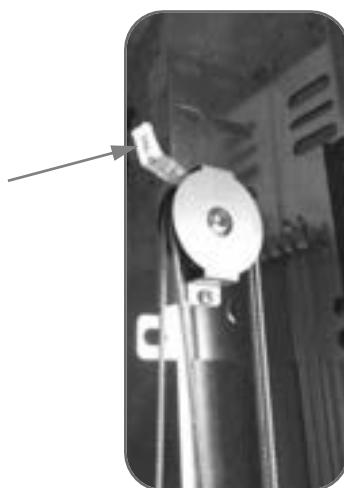


Pulley covers are not supplied if the rails are equipped with the protection cover option.

REMOVING THE COVER LABELS



Remove the cable labels



[1] Releasing the motorisation

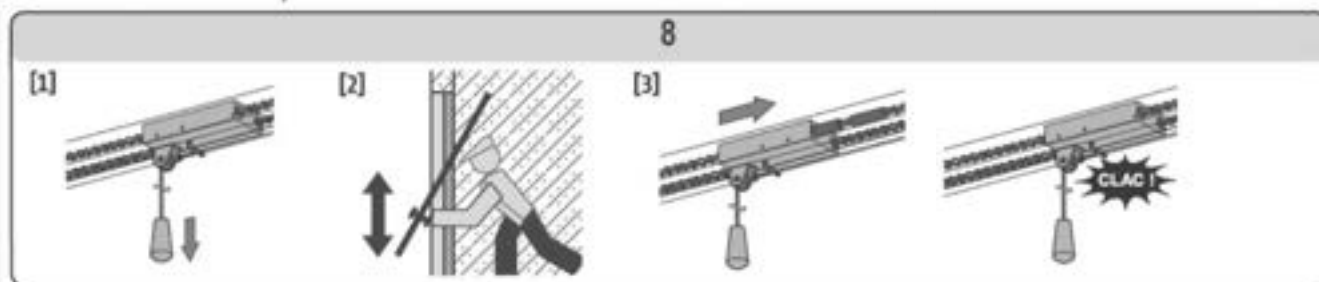
Pull on the cord until door drive system is released.

[2] Manual manipulation of the door

This is possible as the drive system is released.

[3] Re-engaging the motorisation

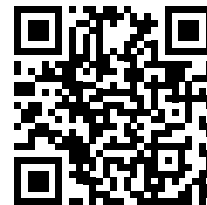
Move the door manually until the drive mechanism re-locks on the transmission rail.



When releasing the motorisation, sudden movements may occur if the door is incorrectly balanced which may be dangerous. Only use the cord to release the motorisation. Never use the cord to manipulate the door manually. It is essential that the motorisation is re-engaged before any new commands.

11. SET THE LIMITS

- i. Instructions on how to set up the operator and the door's limits are provided in the accessory box, you can also access them digitally using this QR code or link: www.sws.co.uk/fitting-instructions



12. COMMISSIONING

Final Checks

- i. Remove any protective plastic coverings.
- ii. Wipe panels with damp cloth.
- iii. Touch-up any small scratches.
- iv. Check all electrical & operating equipment is installed and functioning correctly and complete UKCA marking label and paperwork.

N.B. Check the front of the panels to make sure that it is not rubbing on the lintel.

This will take a few moments to occur.

If you wish to demonstrate how to operate the door manually immediately after opening the door press either the stop button on the handset or simulate a power cut by switching off the power to the operator.

Upon completion it is your responsibility to train the customer how to operate the door correctly and safely and provide them with the operating and maintenance instructions supplied.

13. TECHNICAL ASSISTANCE

If you require any on site technical assistance including repair or maintenance queries please call 01524 772400 or email technical@swsuk.co.uk.